

Z-CUBE 19" WALL-MOUNTED NETWORK CABINET



Z-CUBE 600, 21 U with glass door



Z-CUBE 600, 15 U with glass door



Z-CUBE 150, 6 U



Z-CUBE 450, 6 U with rear panel (additional element)



Z-CUBE 450+150, 6 U with metal door

SINGLE OR DOUBLE-SECTION WALL-MOUNTED CABINETS WITH REMOVABLE SIDE PANELS

- Designed for indoor applications.
- Available in two depths (450 and 600 mm) and six usable heights (from 6 to 21 U).
- The cabinet 450 mm deep can be equipped with an additional body, fixed to its rear wall with two or three hinges and a lock. This creates a double-section cabinet 600 mm deep.
- The design of the cabinet is based on a welded body, glass or metal front door and two removable side panels.
- The cabinet is equipped with two adjustable 19" mounting angles with depth regulation.
- Top and bottom plates have cable openings covered with knock-out blanking plates and venting grids with holes for fan assembling.
- Door and side panels can be installed without tools.
- It is possible to change door opening direction and opening of the additional rear body direction.
- Bodies, door and side panels are equipped with earthing pins.
- Rear panel available as an additional element.

TECHNICAL DATA

Protection degree

IP 20 in accordance with EN 60529 (if the cabinet is mounted on the solid flat wall or equipped with rear panel).

Maximum load capacity

60 kg for Z-CUBE 600 and Z-CUBE 450 single-section cabinets, 30 kg for Z-CUBE 450+150 double-section cabinet.

Material

Sheet steel, clear mineral safety glass.

Surface finishing

Body, side panels, side elements of glass door – powder paint, light grey (RAL 7035).

Mounting angles – Al-Zn coated.

SCOPE OF DELIVERY

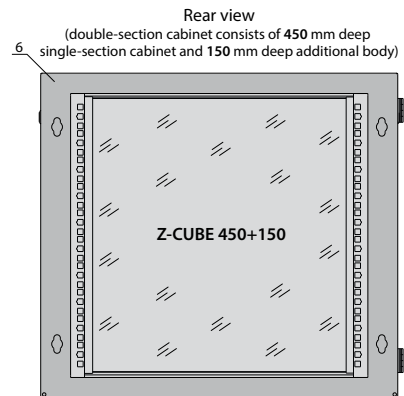
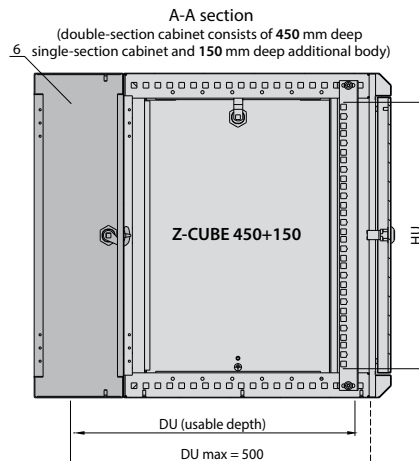
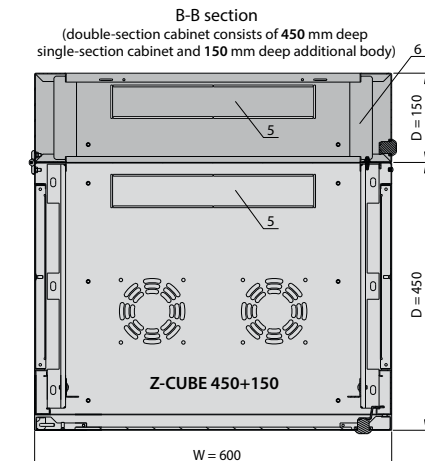
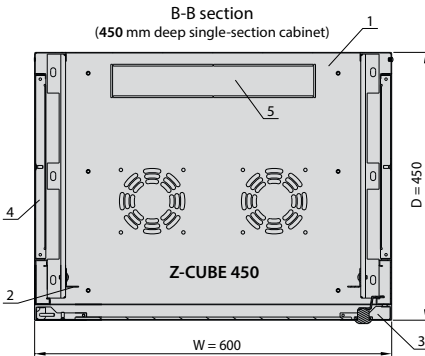
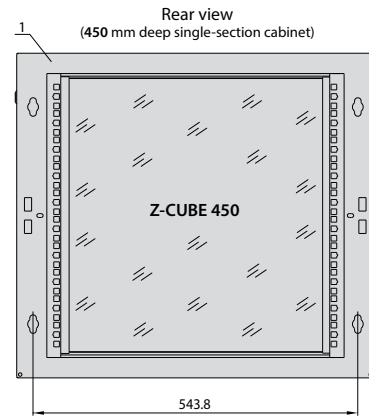
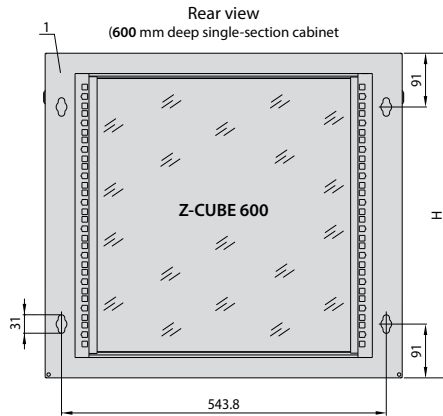
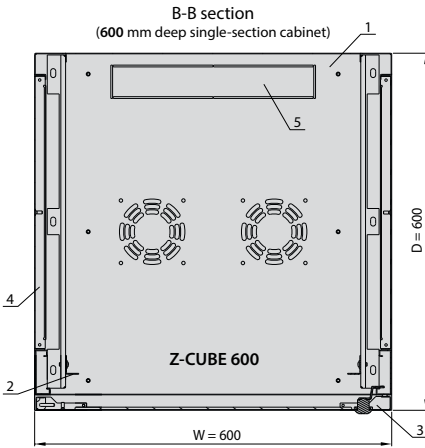
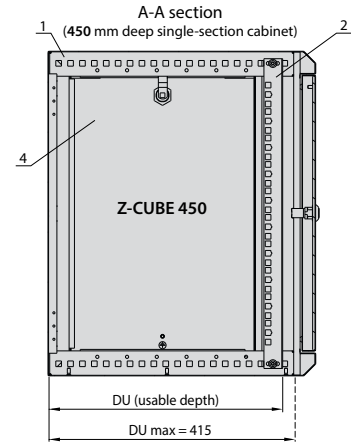
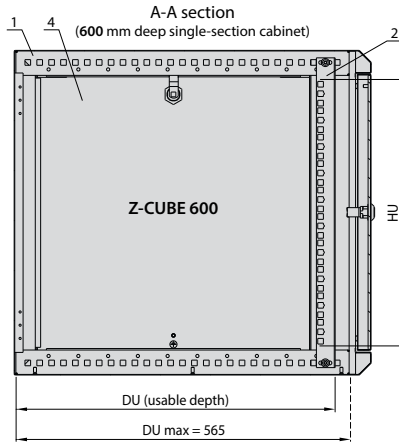
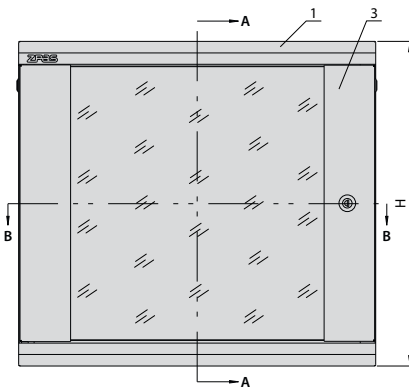
Z-CUBE 600 or 450 single-section cabinet:

body, door with a lock, 2 side panels with one lock each, 2 mounting angles.

Z-CUBE 150 rear body for Z-CUBE 450 cabinet:

body, 2 or 3 hinges, 1 lock.

WALL-MOUNTED NETWORK CABINET **Z-CUBE 19"**



DESIGN

Basic elements of the cabinet:

1. Cabinet's body 600 or 450 mm deep
2. Mounting angle
3. Door
4. Side panel
5. Knock-out blanking plate 56 x 344 mm
6. Rear body 150 mm deep

Z-CUBE 19" WALL-MOUNTED NETWORK CABINET



REFERENCE CHART

Product name	With W [mm]	Depth D [mm]	Height H [mm]	Usable height HU [U = 44.45 mm]	Catalogue number
Z-CUBE 600 wall-mounted cabinet with glass door	600	600	368	6 U	WZ-8180-30-01-011
			546	10 U	WZ-8180-30-02-011
			634	12 U	WZ-8180-30-03-011
			767	15 U	WZ-8180-30-04-011
			900	18 U	WZ-8180-30-05-011
			1033	21 U	WZ-8180-30-06-011
Z-CUBE 600 wall-mounted cabinet with metal door	600	600	368	6 U	WZ-8180-30-M1-011
			546	10 U	WZ-8180-30-M2-011
			634	12 U	WZ-8180-30-M3-011
			767	15 U	WZ-8180-30-M4-011
			900	18 U	WZ-8180-30-M5-011
			1033	21 U	WZ-8180-30-M6-011
Z-CUBE 450 wall-mounted cabinet with glass door	600	450	368	6 U	WZ-8180-20-01-011
			546	10 U	WZ-8180-20-02-011
			634	12 U	WZ-8180-20-03-011
			767	15 U	WZ-8180-20-04-011
			900	18 U	WZ-8180-20-05-011
			1033	21 U	WZ-8180-20-06-011
Z-CUBE 450 wall-mounted cabinet with metal door	600	450	368	6 U	WZ-8180-20-M1-011
			546	10 U	WZ-8180-20-M2-011
			634	12 U	WZ-8180-20-M3-011
			767	15 U	WZ-8180-20-M4-011
			900	18 U	WZ-8180-20-M5-011
			1033	21 U	WZ-8180-20-M6-011
Z-CUBE 150 rear body (for Z-CUBE 450 wall-mounted cabinet)	600	150	368	6 U	WZ-8180-16-01-011
			546	10 U	WZ-8180-16-02-011
			634	12 U	WZ-8180-16-03-011
			767	15 U	WZ-8180-16-04-011
			900	18 U	WZ-8180-16-05-011
			1033	21 U	WZ-8180-16-06-011

SUPPLEMENTARY ACCESSORIES FOR WALL-MOUNTED CABINETS

Rear panel

To close the rear of the **Z-CUBE** cabinet.

Material

Sheet steel powder painted in light grey (RAL 7035).

Scope of delivery

Rear panel with fixing accessories.

Product name	Height [U = 44.45 mm]	Catalogue number
Rear panel for Z-CUBE wall-mounted cabinet	6 U	WZ-8180-17-01-011
	10 U	WZ-8180-17-02-011
	12 U	WZ-8180-17-03-011
	15 U	WZ-8180-17-04-011
	18 U	WZ-8180-17-05-011
	21 U	WZ-8180-17-06-011

Package: 1 pc.



Rear panel 10 U

Mounting profiles, mounting angles

Additional pair of 19" mounting profiles or mounting angles.

Material

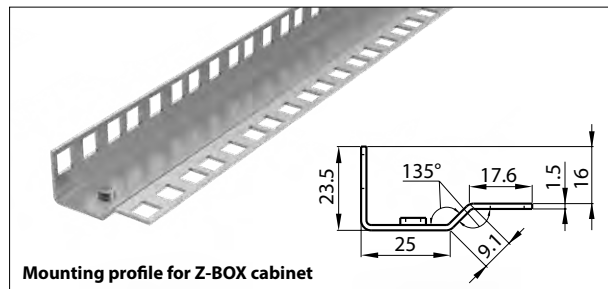
Sheet steel, Al-Zn coated.

Scope of delivery

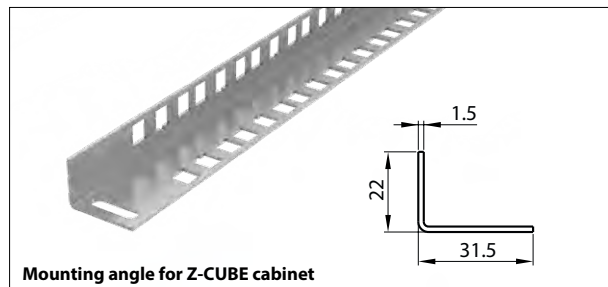
Two mounting angles/profiles with fixing accessories.

Product name	Height [U = 44.45 mm]	Catalogue number
Set of mounting profiles for Z-BOX cabinet	6 U	WZ-7240-31-02-000
	10 U	WZ-7240-31-03-000
	12 U	WZ-7240-31-04-000
	15 U	WZ-7240-31-05-000
	18 U	WZ-7240-31-06-000
Set of mounting angles for Z-CUBE cabinet	6 U	WZ-8180-40-01-000
	10 U	WZ-8180-40-02-000
	12 U	WZ-8180-40-03-000
	15 U	WZ-8180-40-04-000
	18 U	WZ-8180-40-05-000
	21 U	WZ-8180-40-06-000

Package: 1 set = 2 pcs



Mounting profile for Z-BOX cabinet



Mounting angle for Z-CUBE cabinet

Wall-fastening brackets

Designed for **Z-BOX** and **Z-CUBE** cabinets.

Material

Zinc-coated sheet steel.

Scope of delivery

Set of 4 brackets with fixing accessories.

Product name	Package	Catalogue number
Brackets 20 mm deep	1 set = 4 pcs	WZ-2048-50-01-000
Brackets 40 mm deep	1 set = 4 pcs	WZ-2048-50-02-000



SUPPLEMENTARY ACCESSORIES FOR WALL-MOUNTED CABINETS



Fan kit

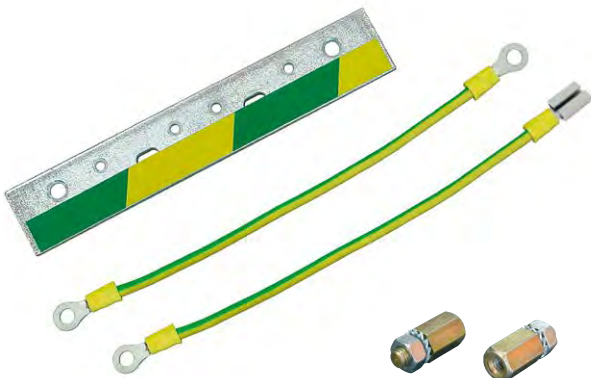
Fan kit

Mounted it the top or bottom plate of **Z-BOX**, **Z-CUBE** or **SJB** cabinets. Power supply: 230 V, 50 Hz; power: 22 W; capacity: 165 m³/h.; noise level: ca 40 dB

Scope of delivery

Set: 1 fan with protection grid, power lead 1.0 m long, fixing accessories.

Package	Catalogue number
1 set	WN-0200-04-00-000



Earthing elements

Earthing elements
Earthing bar

- With threaded M5 openings for fixing conductors.
- Material: zinc coated steel bar 30 x 4 x 170 mm

Earthing conductors

- Insulated copper conductors with contact eyes for M5 screws.
- Material: copper wires, cross-section 6 mm².

Scope of delivery

Earthing elements are supplied with fixing accessories for installation inside the cabinet.

Product name	Catalogue number
Earthing set for Z-BOX cabinet	WZ-7240-A0-00-000
Earthing set for Z-CUBE cabinet	WZ-2733-13-00-000

Package: 1 set


Brush strip for cable opening

For blinding cable opening following the removal of blanking plate.

Material

Plastic.

Scope of delivery

Brush strip without fixing accessories.

Product name	Catalogue number
Brush strip for Z-CUBE cabinet	WZ-8180-19-00-000

Package: 1 pc.