

# Z-CUBE

## 19" WALL-MOUNTED CABINETS



**ZPAS**  
GROUP

solutions for connections

**F-rack**  
Systems AB



# Z-CUBE 19"



Z-CUBE 600, 21U

## SINGLE OR DOUBLE-SECTION WALL-MOUNTED CABINETS WITH REMOVABLE SIDE PANELS

- Designed for indoor applications.
- Available in two depths (450 and 600 mm) and six usable heights (from 6 to 21 U).
- The cabinet 450 mm deep can be equipped with an additional body, fixed to its rear wall with two or three hinges and a lock. This creates a double-section cabinet 600 mm deep.
- The design of the cabinet is based on a welded body, glazed front door and two removable side panels.
- The cabinet is equipped with two adjustable 19" mounting angles with depth regulation.
- Top and bottom plates have cable openings covered with knock-out blanking plates and venting grids with holes for fan assembling.
- Door and side panels can be installed without tools.
- It is possible to change door opening direction and opening of the additional rear body direction.
- Bodies, door and side panels are equipped with earthing pins.
- The cabinet is without a rear panel.

### TECHNICAL DATA

#### Protection degree

IP 20 in accordance with EN 60529 (if the cabinet is mounted on the solid flat wall).

#### Maximum load capacity

60 kg for Z-CUBE 600 and Z-CUBE 450 single-section cabinets, 30 kg for Z-CUBE 450+150 double-section cabinet.

#### Material

Steel sheet, clear mineral safety glass.

#### Surface finishing

Body, side panels, side elements of glazed door – powder paint, light grey (RAL 7035) or black (RAL 9005).

Mounting angles – Al-Zn coated.

### SCOPE OF DELIVERY

#### Z-CUBE 600 or 450 single-section cabinet:

body, glazed door with a lock, 2 side panels with one lock each, 2 mounting angles.

#### Z-CUBE 150 rear body for Z-CUBE 450 cabinet:

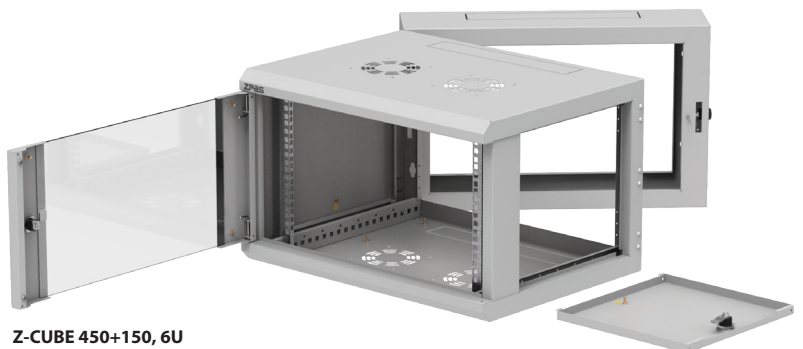
body, 2 or 3 hinges, 1 lock.



Z-CUBE 600, 15U

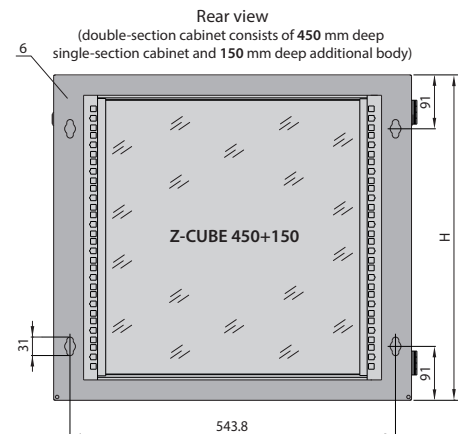
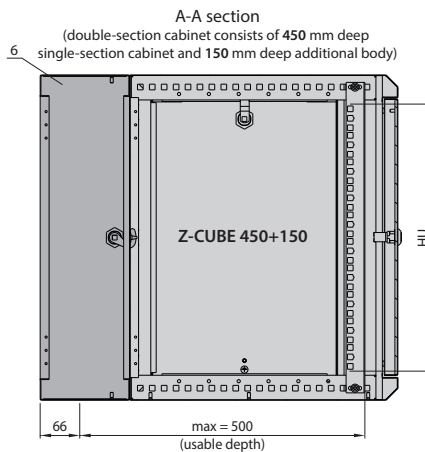
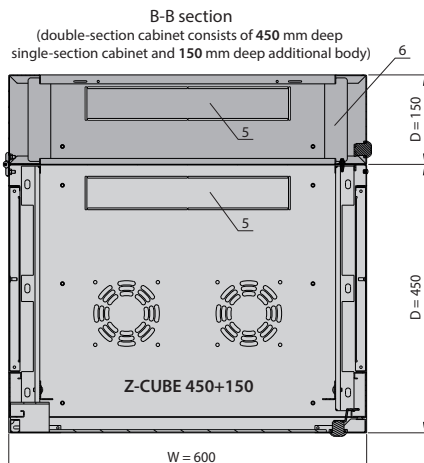
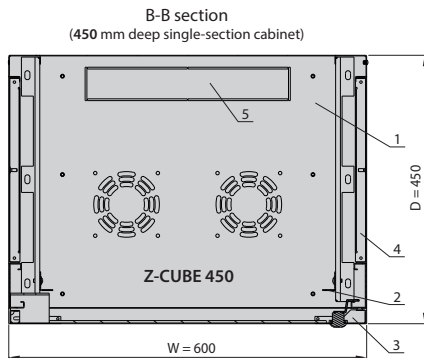
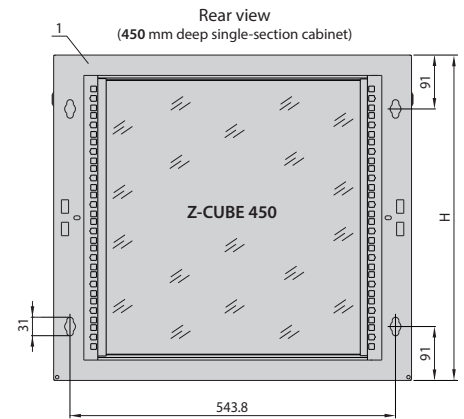
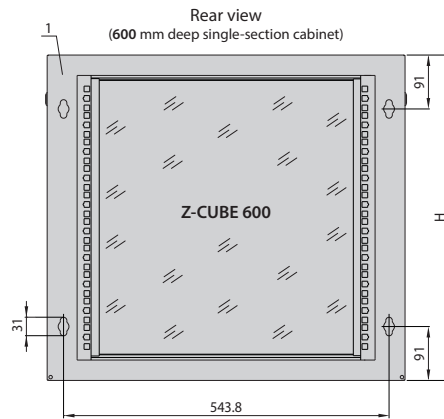
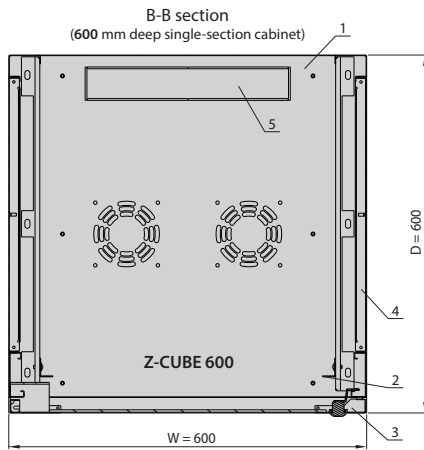
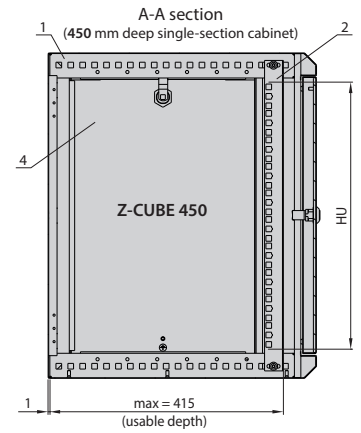
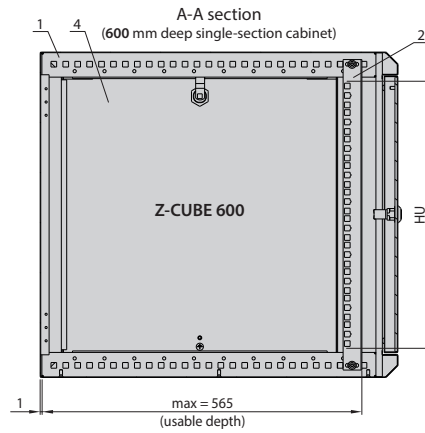
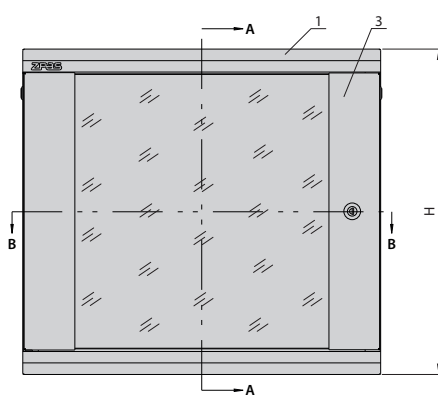


Z-CUBE 150, 6U



Z-CUBE 450+150, 6U

# Z-CUBE 19"



## DESIGN

Basic elements of the cabinet:

1. Cabinet's body
2. Mounting angle
3. Door
4. Side panel
5. Knock-out blanking plate 56 x 344 mm

Additional element:

6. Rear body 150 mm deep

## Z-CUBE 19"



### REFERENCE CHART

Product name	With W [mm]	Depth D [mm]	Height H [mm]	Usable height HU [U = 44,45 mm]	Catalogue number	
					RAL 7035	RAL 9005
Z-CUBE 600 wall-mounted cabinet	600	600	1033	21 U	WZ-8180-30-06-011	WZ-8180-30-06-161
			1000	18 U	WZ-8180-30-05-011	WZ-8180-30-05-161
			767	15 U	WZ-8180-30-04-011	WZ-8180-30-04-161
			634	12 U	WZ-8180-30-03-011	WZ-8180-30-03-161
			546	10 U	WZ-8180-30-02-011	WZ-8180-30-02-161
			366	6 U	WZ-8180-30-01-011	WZ-8180-30-01-161
Z-CUBE 450 wall-mounted cabinet	600	450	1033	21 U	WZ-8180-20-06-011	WZ-8180-20-06-161
			1000	18 U	WZ-8180-20-05-011	WZ-8180-20-05-161
			767	15 U	WZ-8180-20-04-011	WZ-8180-20-04-161
			634	12 U	WZ-8180-20-03-011	WZ-8180-20-03-161
			546	10 U	WZ-8180-20-02-011	WZ-8180-20-02-161
			366	6 U	WZ-8180-20-01-011	WZ-8180-20-01-161
Z-CUBE 150 rear body (for Z-CUBE 450 wall-mounted cabinet)	600	150	1033	21 U	WZ-8180-16-06-011	WZ-8180-16-06-161
			1000	18 U	WZ-8180-16-05-011	WZ-8180-16-05-161
			767	15 U	WZ-8180-16-04-011	WZ-8180-16-04-161
			634	12 U	WZ-8180-16-03-011	WZ-8180-16-03-161
			546	10 U	WZ-8180-16-02-011	WZ-8180-16-02-161
			366	6 U	WZ-8180-16-01-011	WZ-8180-16-01-161
Earthing set for Z-CUBE cabinet (earthing strip, earthing cables for door and side panels, fixing elements)					WZ-2733-13-00-000	