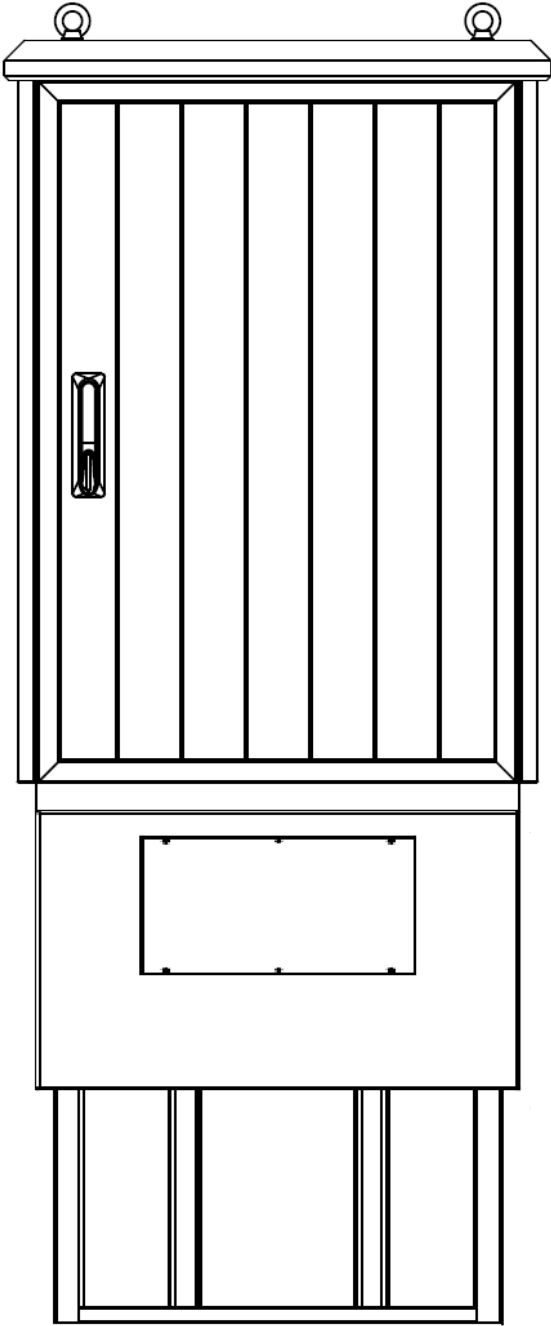


# Technical specification for outdoor cabinet SZDs958

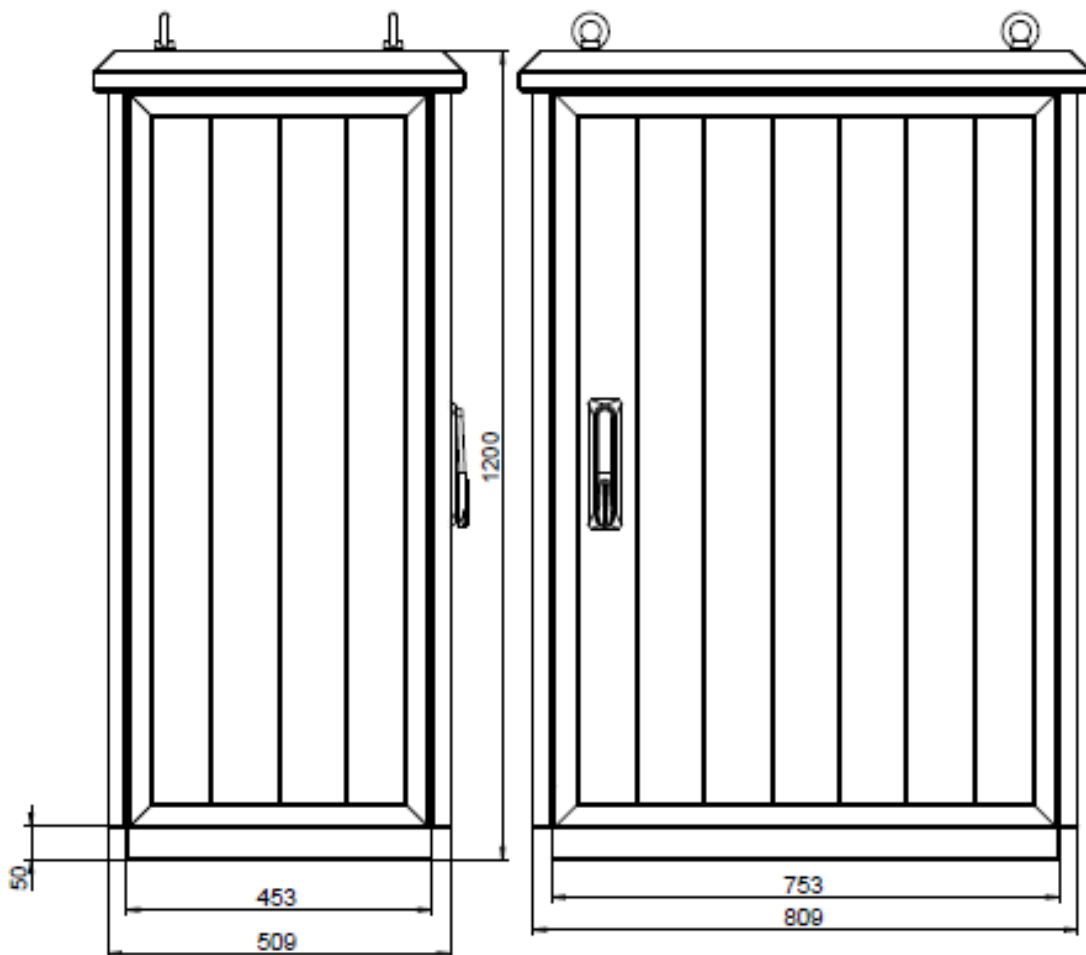


## Outdoor cabinet SZDs958

---

### 1. Technical data of cabinet.

- Outside dimension of cabinet without extended base [mm]:
  - total height - 1200
  - total width – 809
  - total depth – 509
- Framework – aluminum profile 30x60, 30x30 [mm]
- Door and side shields – aluminum double wall profiles, thickness of panel # 17,5mm, thickness of single wall in panel # 1,5mm
- Roof: aluminum sheet # 2mm
- Plinth: aluminum sheet # 2mm
- Coat: doors, side shields, roof and plinth – chromate coated and powder painted in RAL 7035, framework – natural aluminum anode.
- Protection degree: IP54



# Outdoor cabinet SZDs958

## 1.1. Construction of cabinet

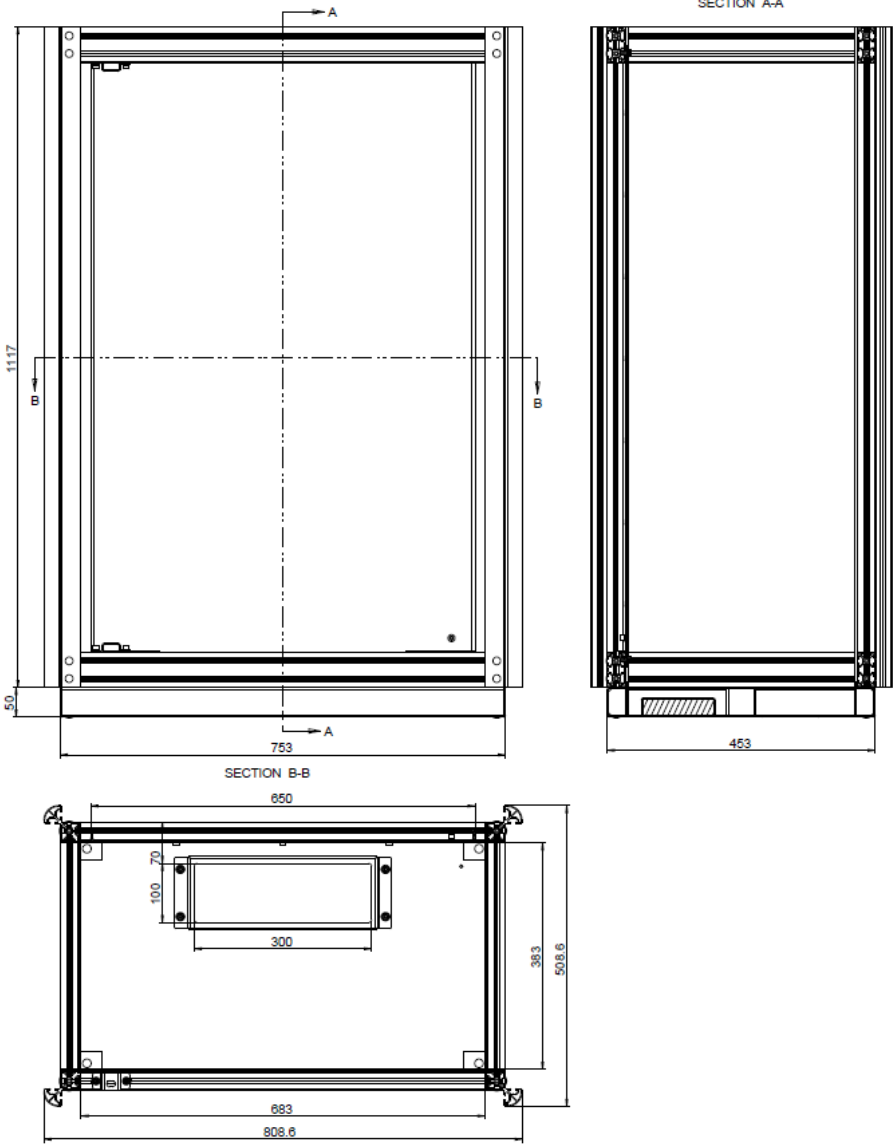
### Framework

Framework is made of aluminum profiles. Supporting structure of cabinet is made of aluminum profiles (30x60mm, 30x30mm), which are joint together by adapters.

Vertical supports and 30x60 profile are connected by self threaded screws M8x25 (4 pcs in each corner).

Due to that framework is very stiff and screws are hide and protected against unscrewing. Other profiles 30x60 and 30x30 are connected by fixing elements and they can be placed in any position in cabinet.

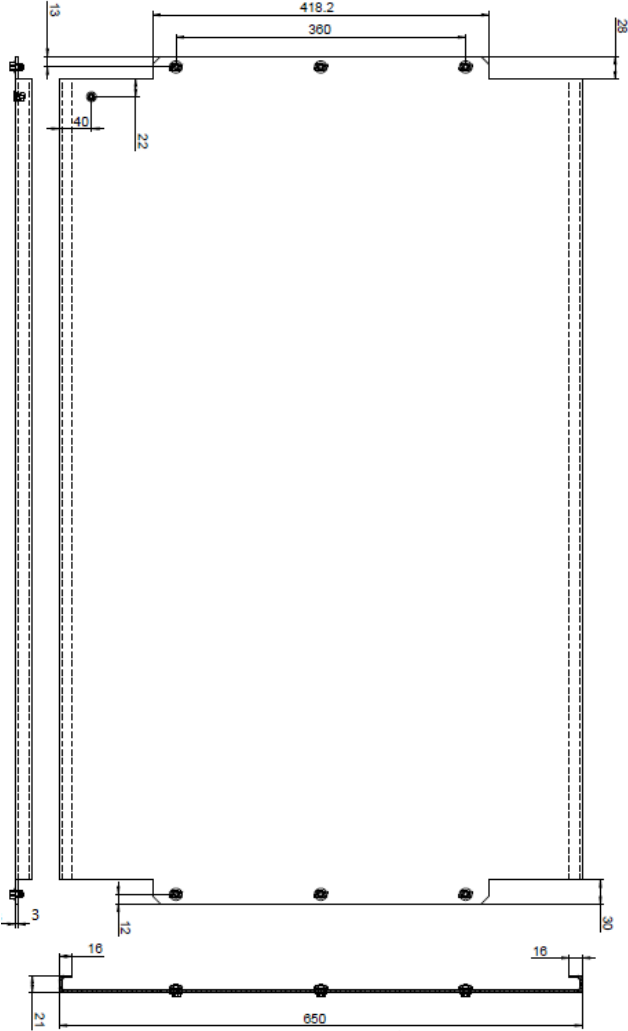
Frame is placed on 50mm aluminum plinth and connect by screws. In rear part of plinth there is foam cable entry with size 300x100mm.



# Outdoor cabinet SZDs958

## Mounting plate

Mounting plate is designated to install customer equipment.  
Cabinet is equip with mounting plate made of aluminium sheet # 3mm.  
Mounting plate is connected to the frame in rear by 6 screws. It can be easily disconnected and remove from cabinet.

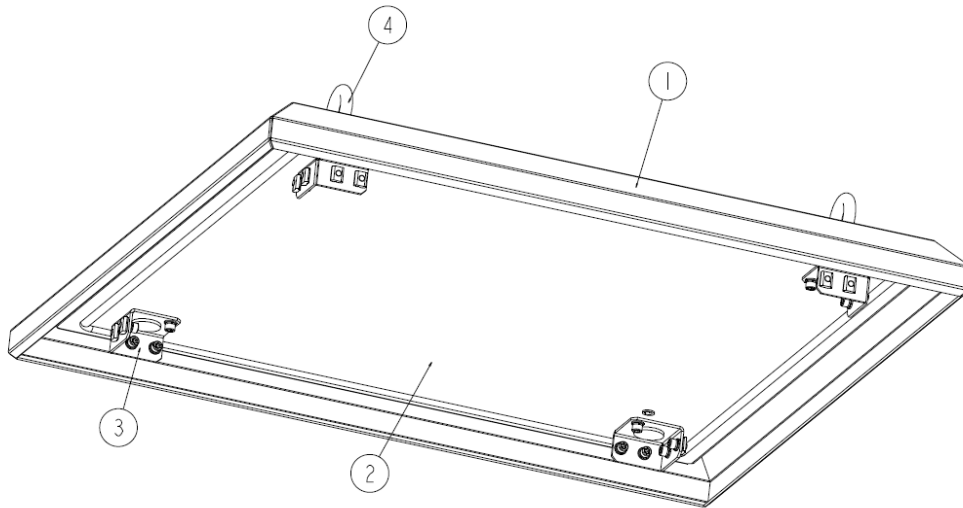


## Outdoor cabinet SZDs958

---

### *Roof*

Roof is fasten to the framework by fixing elements in corners. Fixing elements are made of stainless steel #2,5 mm (*sort ANSI 304*). Transport cabinet by using lifting eyes.



1. *External coat*
2. *Inside part of roof*
3. *Fixing elements in corners*
4. *Lifting eye*

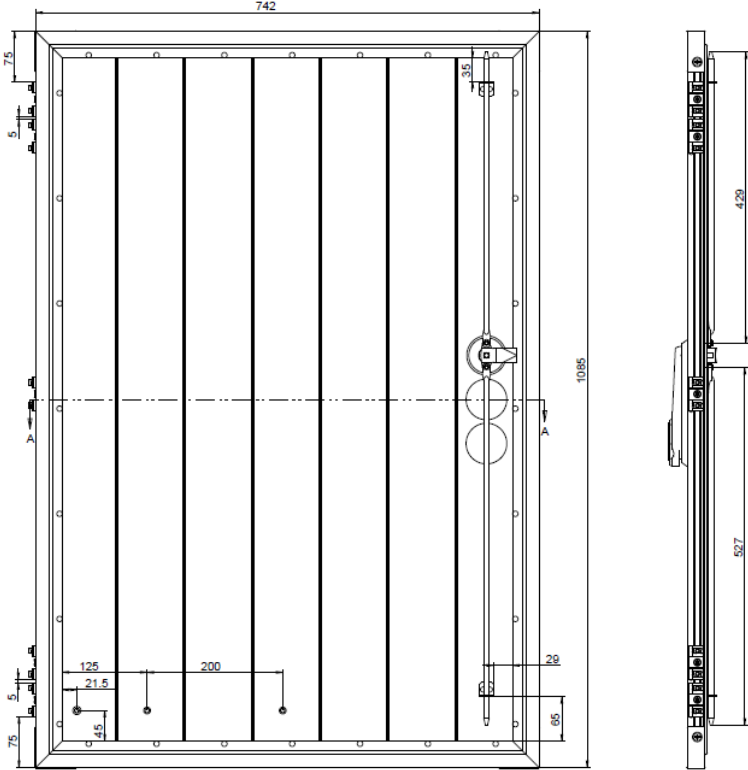
### *Doors and side shields*

Doors and side shields are made of aluminum double wall profiles which are fastened together. The aluminum profiles make double ventilation wall. Around panels is aluminum frame with silicone gasket to provide IP54.

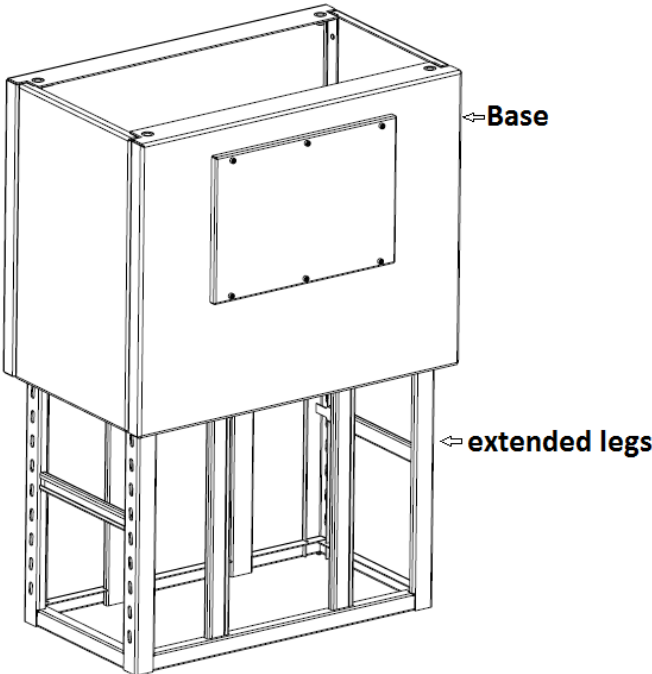
Doors have 3 point rod-latch lock with handle made of aluminum and zinc. Handle has inside patent insert with 2 keys. Rod-latch are made of stainless steel (*sort ANSI 304*) Ø 8 mm.

Side and rear shields are made same as door. Side shield has also fixing elements to fasten with framework. Fixing elements are made of stainless steel #2 mm (*sort ANSI 304*).

# Outdoor cabinet SZDs958



*Extended base*

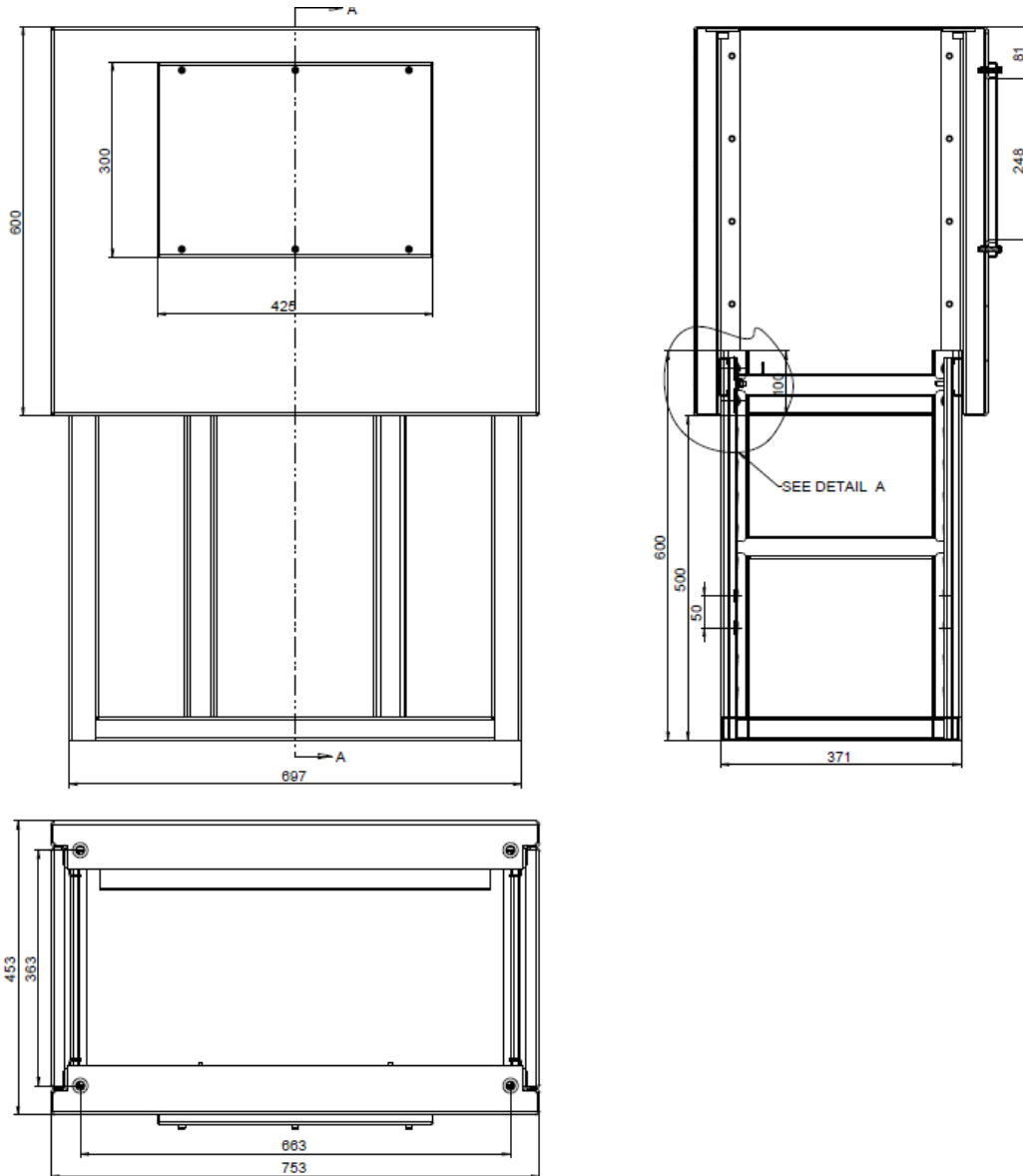


## Outdoor cabinet SZDs958

Base is made of aluminum sheet # 3mm and extended legs are made of stainless steel (*ANSI 304*)

On front of base there is blind cover which can be remove from outside by 6 screws.

Extended legs can be slid every 100mm, max extension 600mm.



### 1.2. Mechanical task of cabinet

Cabinet is designed for outdoor use. The main task is full protection of installed equipment. Cabinet fulfils the requirements of protection against negative influence of environment (rain, snow falls, sun radiation, dust, etc).

Another important task is protection against vandalism. Cabinet has 3 point rod-latch locking system.

Outdoor cabinet SZDs are according to norm EN62262 with IK10.

# Outdoor cabinet SZDs958

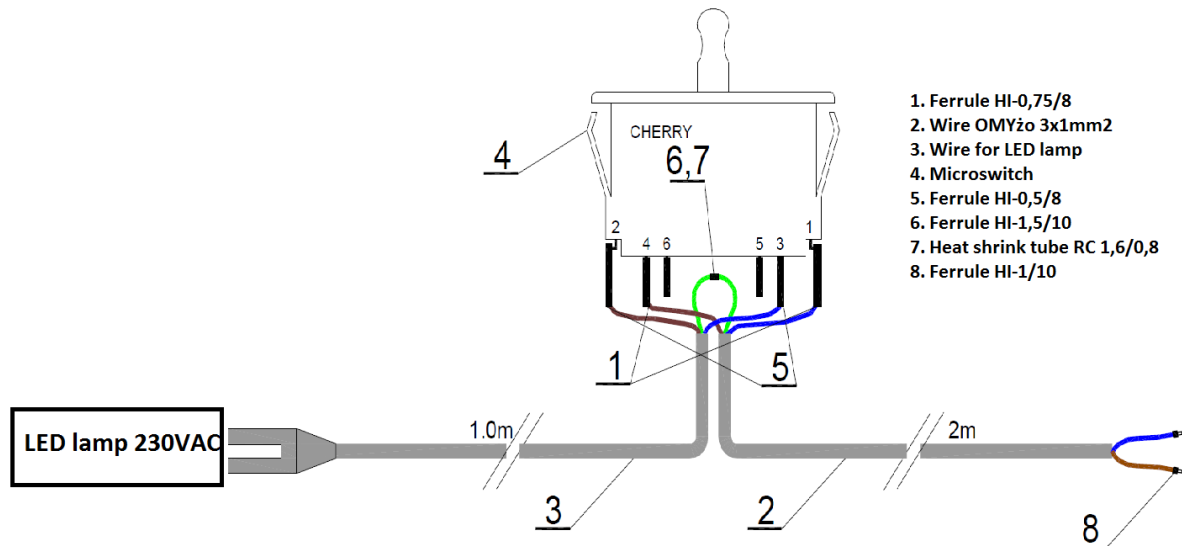
## 1.3. Electrical equipment inside cabinet

Cabinet is equip with:

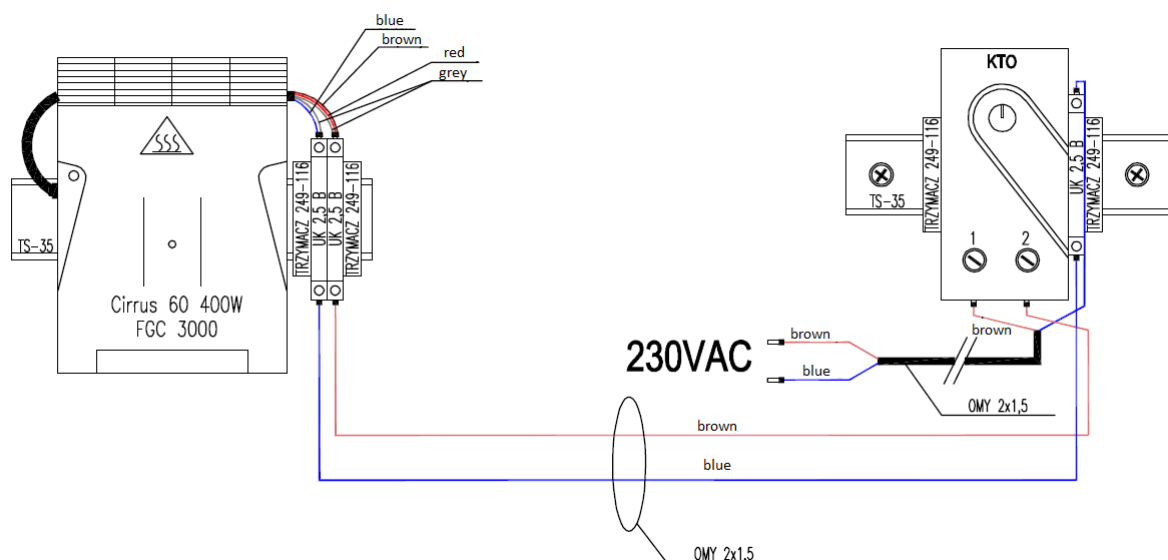
- 1 x LED lamp 230VAC + microswitch – to provide light inside cabinet
- 1 x heater 400W 230VAC + thermostat KTO – to provide correct temperature inside cabinet

Temperature can be setup manually on thermostat

Connection diagram for lamp



Connection diagram for heater





## Outdoor cabinet SZDs958

---

### 2. Packing.

Cabinet is screwed to palette by M12.

Cabinet is secured with foil and cartoon corners to avoid damage during transport

Keys are screwed to wooden palette.

### 3. Storage.

Cabinet should be storage at dry place, protected against mechanical injury.

### 4. Transport.

Transport should be in vertical position according transport rules. Label on cabinet informs carrier how to transport cabinet and it should apply to that without any exception. Transport against those rules may cause serious injury or even destruction of cabinet.

### 5. Operation and maintenance.

- All maintenance inside cabinet should apply when power supply is switch off. Unacceptable is having maintenance operations when power supply is switch on. It can cause series danger or even death
- Please check every 12 months basic electric installation, lighting installation, heater installation, thermostat, etc.
- Please check and correct if necessary power terminals.
- Rest of electric maintenance please execute according to manual of installed equipment.

#### **Caution!**

During any work with open cabinet door please make sure that door stopper is in right position to avoid accidental door closing (by wind, etc)

### 6. List of delivery materials

- Cabinet SZDs958 – 1 pc
- Keys - 2 pcs
- Extended base – 1pc