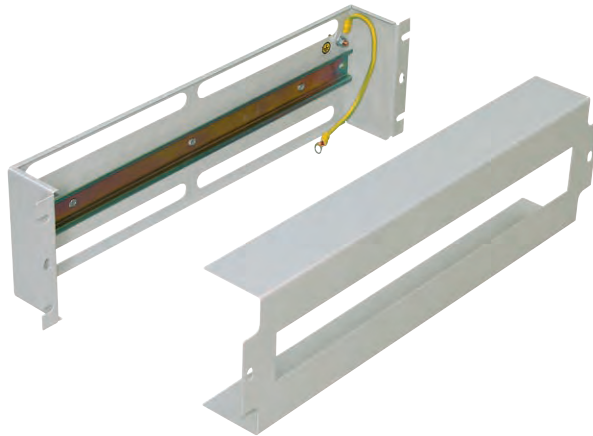


POWER SUPPLY SYSTEMS



Voltage distribution panel

Universal 19" enclosure for modular devices. In the standard version equipped with DIN rail and housing with 402.5 x 45.5 mm opening.

Dimensions

- height:..... 133 mm (3 U),
- width:..... 19" (internal width: 446 mm),
- depth: 60 mm

Capacity of panel - maximum number of built-in S-type modules (width of module 17.5 mm): 22 pcs.

Material

Sheet steel textured powder painted in light grey (RAL 7035) or black (RAL 9005).

Scope of delivery

In the standard version, panels are sold as empty enclosures, complete with: mounting base, DIN rail, housing, fixing accessories.

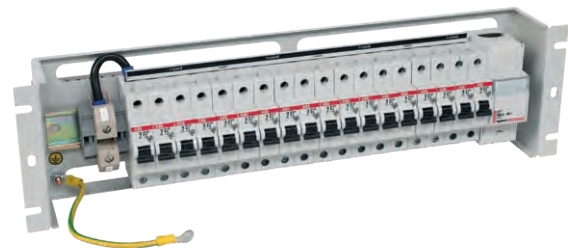
Package	Colour	Catalogue number
1 pc.	RAL 7035	WZ-PS3U-00-00-011
	RAL 9005	WZ-PS3U-00-00-161

Voltage distribution panels equipped with electrical equipment

On special order, we also produce panels of other overall dimensions and equipped with electrical equipment according to the customer's wishes.



PS-3U panel equipped with 48 V circuit breakers



PRS-3U panel for supplying power to appliances requiring high reliability of 230 V power supply



It contains two three-phase sections, powered for each phase separately by Powercon NAC3 sockets with a maximum load capacity of 20 A. Each phase is equipped with a lamp indicating the presence of voltage from the power supply side. The number and power of the appliances can be adjusted to the customer's needs within the total allowable power of 4500 VA per phase. To connect appliances, you can use C13 sockets with an interlock in the maximum number of 24 pcs. A maximum of 15 S-type overcurrent circuit breakers can be used to protect the outgoing feeders.

Technical parameters: rated voltage $U_n = 2 \times 400 / 230 \text{ V}$
 rated current for ingoing feeders $I_n = 20 \text{ A}$
 number and rated current for outgoing feeders = max. 24 pcs. with current according to customer's needs, max 4500 VA/phase