

ACCESSORIES FOR CABINETS AND OPEN RACKS

MASKING ITEMS

Blanking and cable entry plates and strips for bottom plate, top plate and roof

For cabinets: **Z-SERVER, SZB IT, DSR IT.**

Material

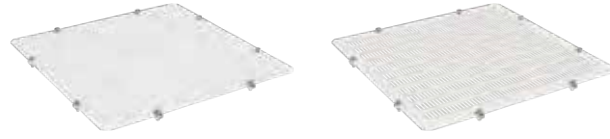
Sheet steel, powder painted in light grey (RAL 7035) or black (RAL 9005), plastic.

Scope of delivery

Blanking/cable entry plate or strip with fixing accessories.

Product name	For opening [mm]	Catalogue number	
		RAL 7035	RAL 9005
Solid blanking plate	380 x 380	WZ-1718-38-01-011	WZ-1718-38-01-161
	380 x 210	WZ-1718-38-02-011	WZ-1718-38-02-161
Perforated blanking plate	380 x 380	WZ-1718-39-01-011	WZ-1718-39-01-161
	380 x 210	WZ-1718-39-02-011	WZ-1718-39-02-161
Blanking plate with a fabric filter	380 x 380	WZ-1718-42-01-011	WZ-1718-42-01-161
	380 x 210	WZ-1718-42-02-011	WZ-1718-42-02-161
Cable entry plate with a brush strip	380 x 380	WZ-5271-10-00-011	WZ-5271-10-00-161
	380 x 210	WZ-5271-14-00-011	WZ-5271-14-00-161
Brush strip	380 x 71	WZ-8059-54-00-000	WZ-8059-54-00-000
Cable entry plate with a foam strip	380 x 380	WZ-1718-40-01-011	WZ-1718-40-01-161
	380 x 210	WZ-1718-40-02-011	WZ-1718-40-02-161
Cable entry plate with a fabric filter and a brush strip	380 x 380	WZ-SB76-00-00-011	WZ-SB76-00-00-161

Package: 1 pc.



Solid blanking plates



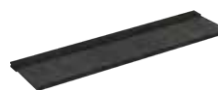
Perforated blanking plates



Blanking plates with a fabric filter



Cable entry plates with a brush strip



Brush strip



Cable entry plates with a foam strip



Cable entry plate with a fabric filter and a brush strip

ACCESSORIES FOR CABINETS AND OPEN RACKS

MASKING ITEMS



Blanking plates assembled with screws



Tool-free assembled blanking plate

19" blanking plates

For covering empty 19" space.

Material

Sheet steel powder painted in light grey (RAL 7035) or black (RAL 9005).

Scope of delivery

Blanking plate with fixing accessories.

Product name	Height [U = 44.45 mm]	Catalogue number	
		RAL 7035	RAL 9005
Blanking plate assembled with screws	1 U	WZ-SB00-33-01-011	WZ-SB00-33-01-161
	2 U	WZ-SB00-33-02-011	WZ-SB00-33-02-161
	3 U	WZ-SB00-33-03-011	WZ-SB00-33-03-161
	4 U	WZ-SB00-33-04-011	WZ-SB00-33-04-161
	5 U	WZ-SB00-33-05-011	WZ-SB00-33-05-161
	6 U	WZ-SB00-33-06-011	WZ-SB00-33-06-161
Tool-free assembled blanking plate	1 U	WZ-4687-75-01-011	WZ-4687-75-01-161

Package: 1 pc.

ACCESSORIES FOR CABINETS AND OPEN RACKS

MASKING ITEMS

Horizontal brush strips

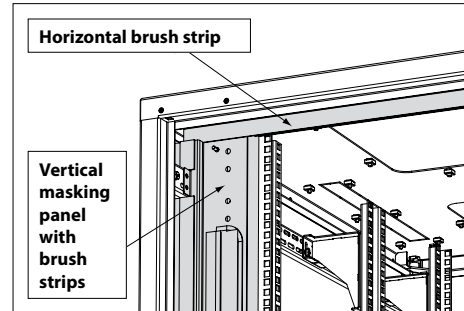
The horizontal brushes are fitted on vertical masking panels under and over the working surface of the mounting profiles in **SZB IT** server cabinets. They are intended for limiting cold air circulation outside the working zone of the mounting profiles and preventing recirculation of hot air into the cold air inlet.

Material

Black plastic brush strip, steel holder powder painted in light grey (RAL 7035) or black (RAL 9005).

Scope of delivery

For 600 mm wide cabinets:
brush strip with holder and fixing accessories.
For 800 mm wide cabinets:
brush strip without holder and fixing accessories.



For cabinet width [mm]	Package	Catalogue number	
		RAL 7035	RAL 9005
600	1 pc.	WZ-5367-45-01-011	WZ-5367-45-01-161
800	1 pc.	WZ-5367-45-02-000	

Vertical masking panels with brush strips

The vertical masking panels are intended for sealing the space between the mounting profiles and the side panel in **SZB IT** server cabinets. They prevent hot air from being fed back into the cold air inlet.

AVAILABLE OPTIONS

For cabinets wide 800 mm:

- 1. Vertical masking panels with cable entries and openings for fixing cable clamps
- 2. Vertical solid masking panels with openings for fixing cable clamps

For cabinets wide 600 mm:

- 3. Vertical solid masking panels

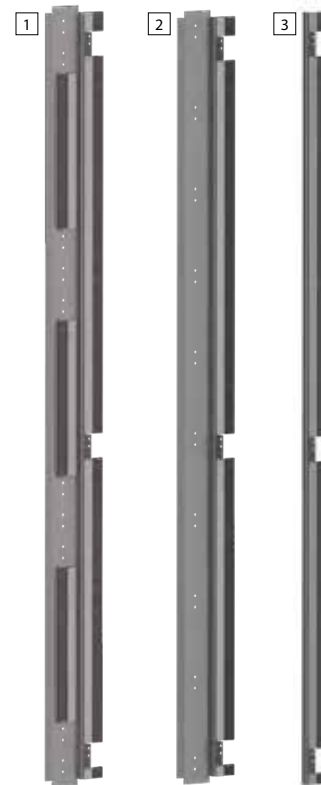
The cable entries in masking panels for 800 mm cabinets are covered with a brush and their edges are protected with an edge seal. All three masking panels types are provided with a brush that, once assembled to the cabinet, fits tight to the side wall.

Material

Sheet steel powder painted, plastic.

Scope of delivery

A set of 2 vertical masking panels of a given type with fixing accessories.

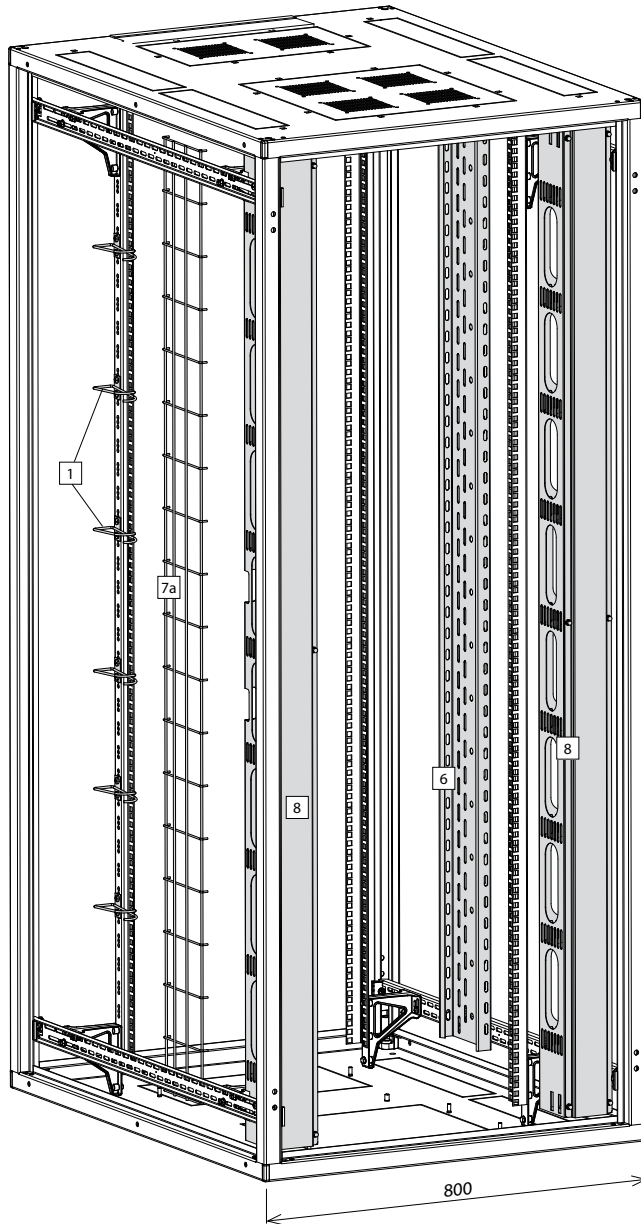


Height [U = 44.45 mm]	Catalogue number					
	For cabinets wide 800 mm				For cabinets wide 600 mm	
	1. Vertical masking panels with cable entries and openings for fixing cable clamps		2. Vertical solid masking panels with openings for fixing cable clamps		3. Vertical solid masking panels	
	RAL 7035	RAL 9005	RAL 7035	RAL 9005	RAL 7035	RAL 9005
42 U	WZ-5367-30-03-011	WZ-5367-30-03-161	WZ-5367-31-03-011	WZ-5367-31-03-161	WZ-5367-32-03-011	WZ-5367-32-03-161
45 U	WZ-5367-30-02-011	WZ-5367-30-02-161	WZ-5367-31-02-011	WZ-5367-31-02-161	WZ-5367-32-02-011	WZ-5367-32-02-161
47 U	WZ-5367-30-01-011	WZ-5367-30-01-161	WZ-5367-31-01-011	WZ-5367-31-01-161	WZ-5367-32-01-011	WZ-5367-32-01-161

Package: 1 set = 2 pcs

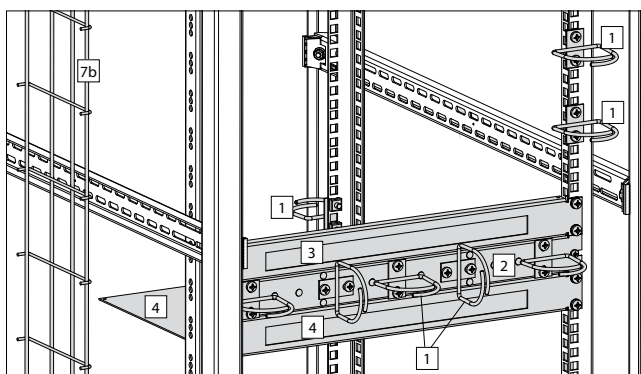
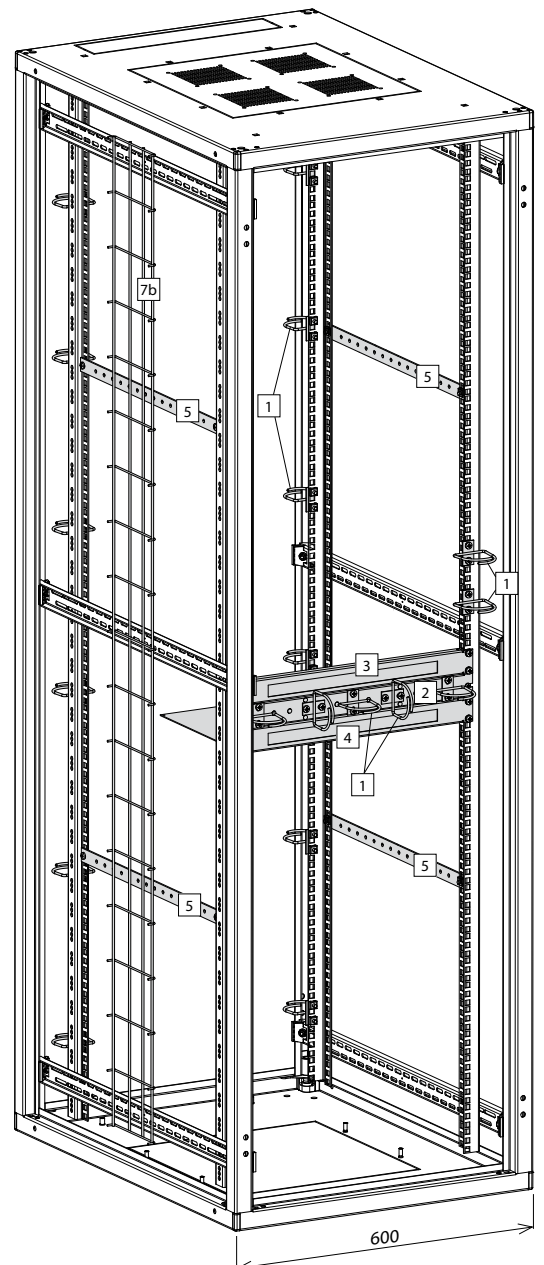
ACCESSORIES FOR CABINETS AND OPEN RACKS

CABLE MANAGEMENT



Cable management elements

1. Cable clamps
2. Cable management bar
3. Brush panel without support plate
4. Brush panel with support plate
5. Cable holder
6. Perforated cable tray, 30 mm deep
7. Wire cable tray, 15 mm deep
 - 7a - installation on the inside
 - 7b - installation on the outside
8. Vertical cable management



ACCESSORIES FOR CABINETS AND OPEN RACKS

CABLE MANAGEMENT

Cable clamps

Intended for fixing
- on cable management bars,
- on mounting profiles.

Material
Zn coated steel.

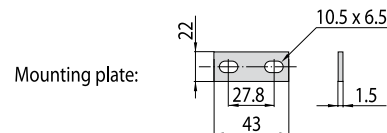
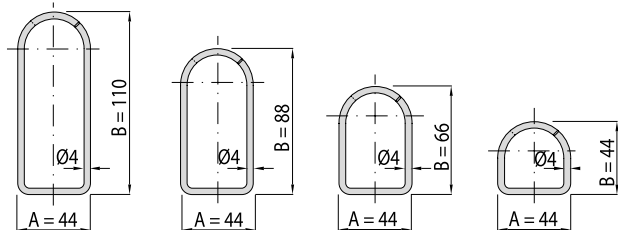
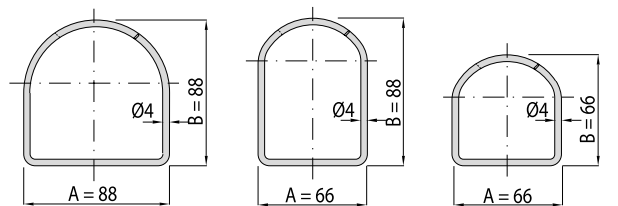
Scope of delivery
The cable clamps are sold in sets: 5 pcs of clamps and fixing accessories.

Note:
It is possible to order on demand cable clamps painted in black (RAL 9005).

Type of cable clamp	Package	Dimensions A x B [mm]	Catalogue number
	5 pcs	88 x 88	WZ-SB52-00-01-000
		66 x 88	WZ-SB52-00-02-000
		66 x 66	WZ-SB52-00-03-000
		44 x 110	WZ-SB52-00-04-000
		44 x 88	WZ-SB52-00-05-000
		44 x 66	WZ-SB52-00-06-000
		44 x 44	WZ-SB52-00-07-000
	5 pcs	88 x 88	WZ-SB53-00-01-000
		66 x 88	WZ-SB53-00-02-000
		66 x 66	WZ-SB53-00-03-000
		44 x 110	WZ-SB53-00-04-000
		44 x 88	WZ-SB53-00-05-000
		44 x 66	WZ-SB53-00-06-000
		44 x 44	WZ-SB53-00-07-000
	5 pcs	88 x 88	WZ-SB54-00-01-000
		66 x 88	WZ-SB54-00-02-000
		66 x 66	WZ-SB54-00-03-000
		44 x 110	WZ-SB54-00-04-000
		44 x 88	WZ-SB54-00-05-000
		44 x 66	WZ-SB54-00-06-000
		44 x 44	WZ-SB54-00-07-000



Way of fastening cable clamps on cable management bar



Cable management bar

19" assembly, height: 1 U.
With slots for mounting cable clamps.

Material
Sheet steel powder painted in light grey (RAL 7035) or black (RAL 9005).

Scope of delivery
Cable management bar,
8 rubber covers for not used slots,
fixing accessories.

Note:
Cable clamps should be ordered separately.



Cable management bar

Height [U = 44.45 mm]	Package	Colour	Catalogue number
1 U	1 pc.	RAL 7035	WZ-SB55-00-00-011
		RAL 9005	WZ-SB55-00-00-161

ACCESSORIES FOR CABINETS AND OPEN RACKS

CABLE MANAGEMENT



T-SO-900-614



T-SO-900-615



T-SO-900-618

Cable management panels, finger type

Designed for horizontal cable organization inside the 19" cabinets.
Available in 1 U and 2 U heights.
Two slots for cable entry in the back side.
Removable front cover.

Material

Plastic in black or sheet steel powder painted in black.

Scope of delivery

Cable management panel without fixing accessories.

External dimensions [mm]			Upper and lower slots		Material	Catalogue number
Width	Height	Depth	Number	Width [mm]		
483	44 (1 U)	87	12	15	plastic	T-SO-900-614
483	88 (2 U)	87	12	15	plastic	T-SO-900-615
483	44 (1 U)	174	12 + 12	15	plastic	T-SO-900-618
483	44 (1 U)	71	12	10	metal	T-SO-900-613
483	44 (1 U)	48	24	6	metal	T-SO-900-616

Package: 1 pc.



T-SO-900-613



T-SO-900-616

ACCESSORIES FOR CABINETS AND OPEN RACKS

CABLE MANAGEMENT

Cable management panels with clamps

Designed for horizontal cable organization inside the 19" cabinets.

Height 1 U.

T-SO-900-008 panel includes four brush cable entries.

Material

Sheet steel panel powder painted in black (RAL 9005) or light grey (RAL 7035) - see photos, plastic cable clamps in black, plastic brush (in the T-SO-900-008 panel).

Scope of delivery

Cable management panel without fixing accessories.



T-SO-900-617



T-SO-900-008



WNK-811-000

External dimensions [mm]			Number of clamps	Catalogue number
Width	Height	Depth		
483	44 (1 U)	90	5	T-SO-900-617
483	44 (1 U)	75	5	T-SO-900-008
483	44 (1 U)	80	9	WNK-811-000

Package: 1 pc.

Cable holder

Fixed horizontally to the front and rear mounting profiles, parallel to the cabinet's side. For installing cable bundle. With holes for M6 bolts.

Material

Zinc-coated sheet steel

Scope of delivery

Cable holder with fixing accessories.

Length [mm]	Catalogue number
210	WZ-SB00-29-05-000
310	WZ-SB00-29-04-000
335	WZ-SB00-29-03-000
410	WZ-SB00-29-02-000
500	WZ-SB00-29-01-000

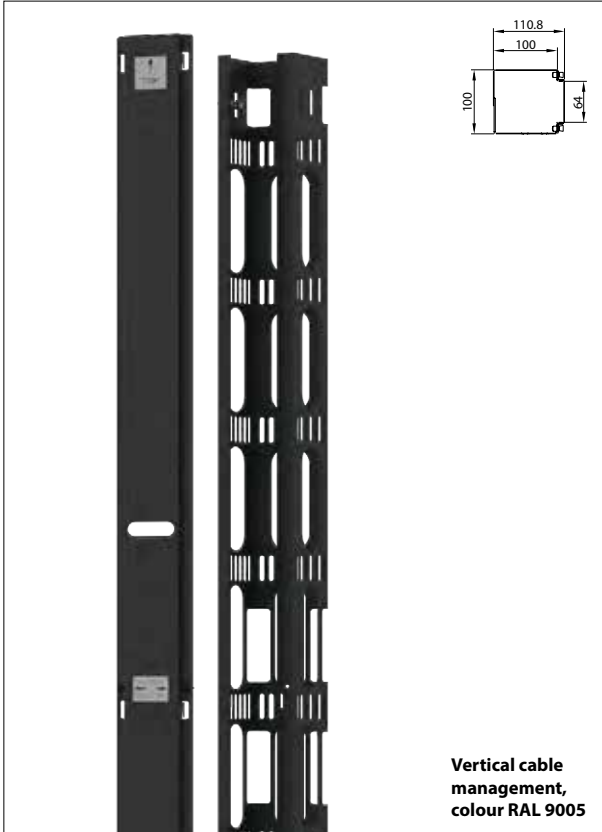
Package: 1 pc.



Cable holder

ACCESSORIES FOR CABINETS AND OPEN RACKS

CABLE MANAGEMENT



Vertical cable management

Designed for vertical organization of cables inside the **800 mm** wide **SZB IT** cabinets. Fixed to horizontal C-profiles at the cabinet's side walls. Equipped with a removable front cover.

Material

Sheet steel powder painted in black (RAL 9005).

Scope of delivery

Vertical cable management with fixing accessories for assembling into the cabinet.

For cabinet height	Dimensions [mm]		Colour	Catalogue number
	Width	Depth		
42 U	100	111	RAL 7035	WZ-6186-22-03-011
			RAL 9005	WZ-6186-22-03-161
45 U	100	111	RAL 7035	WZ-6186-22-02-011
			RAL 9005	WZ-6186-22-02-161
47 U	100	111	RAL 7035	WZ-6186-22-01-011
			RAL 9005	WZ-6186-22-01-161

Package: 1 pc.



Brush panel without support plate



Brush panel with support plate

Brush panels

Make easier to organise cables in data cabinets. 19" assembly, height 1 U.

With 341 x 21.5 mm brush opening.

Support plate can be used in order to keep patch cords which are in excess.

Material

Sheet steel powder painted in light grey (RAL 7035) or black (RAL 9005).

Scope of delivery

Brush panel with fixing accessories for assembling into the 19" mounting profiles.

Panel type	Depth [mm]	Package	Colour	Catalogue number
Without support plate	50	1 pc.	RAL 7035	WZ-SB63-00-01-011
			RAL 9005	WZ-SB63-00-01-161
With support plate	300	1 pc.	RAL 7035	WZ-SB63-00-02-011
			RAL 9005	WZ-SB63-00-02-161

ACCESSORIES FOR CABINETS AND OPEN RACKS

CABLE MANAGEMENT

Perforated cable tray

Designed for vertical cable management inside the cabinet. Fixed to horizontal C-profiles at the cabinet's side walls. Width 150 mm, depth 30 mm.

Note: In 600 mm wide **SZB IT** cabinets, 30 mm deep cable tray can be fitted to the C-profiles only from the inner side (it does not fit in the space between the C-profile and cabinet's side panel.).

Material

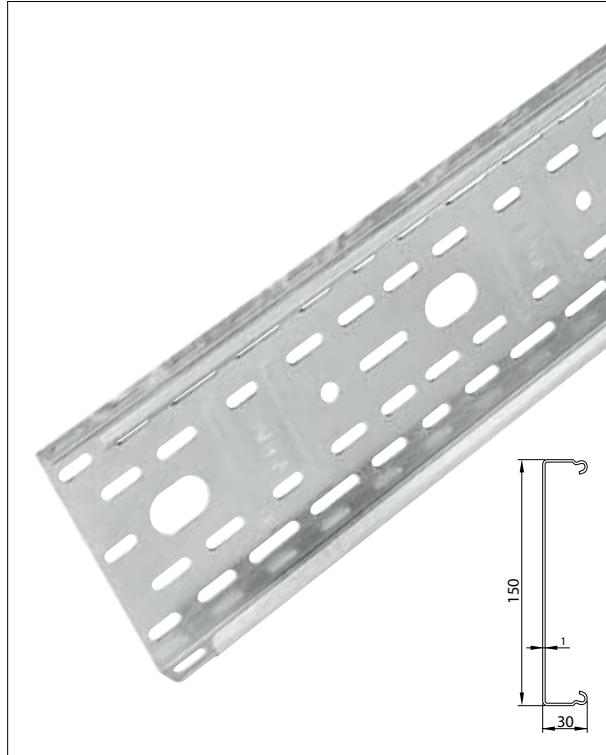
Sheet steel zinc coated.

Scope of delivery

Cable tray with fixing accessories.

Cable tray length [mm]	For cabinet height [U = 44.45 mm]	Catalogue number
1100	24 U	WZ-4755-20-08-000
1200	27-28 U	WZ-4755-20-07-000
1300	30 U	WZ-4755-20-06-000
1400	32-33 U	WZ-4755-20-05-000
1600	36 U	WZ-4755-20-04-000
1700	38-39 U	WZ-4755-20-03-000
1800	40-42 U	WZ-4755-20-02-000
2000	45-47 U	WZ-4755-20-01-000

Package: 1 pc.



Wire cable tray

Designed for vertical cable management inside the cabinet. Fixed to horizontal C-profiles at the cabinet's side walls. Width 150 mm, depth 15 mm. In 600 mm wide **SZB IT** cabinets, wire cable tray can fit in the space between the C-profile and cabinet's side panel.

Material

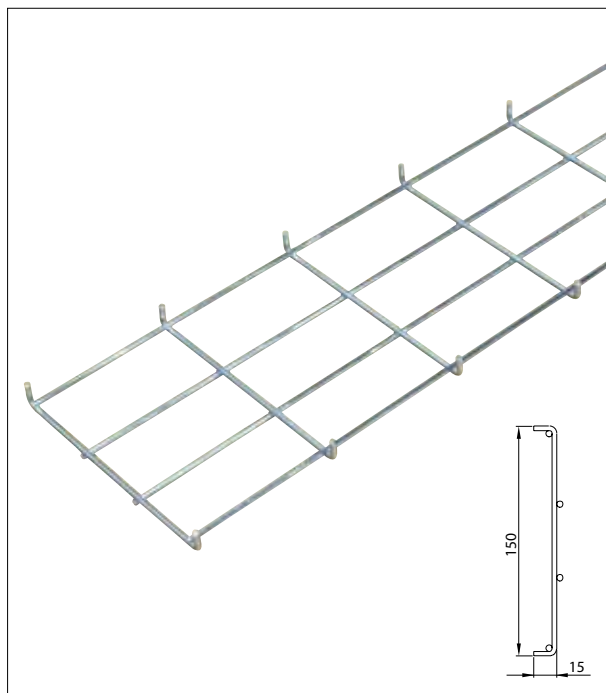
Galvanized steel.

Scope of delivery

Cable tray with fixing accessories.

Cable tray length [mm]	For cabinet height [U = 44.45 mm]	Catalogue number
1100	24 U	WZ-4755-25-08-000
1200	27-28 U	WZ-4755-25-07-000
1300	30 U	WZ-4755-25-06-000
1400	32-33 U	WZ-4755-25-05-000
1600	36 U	WZ-4755-25-04-000
1700	38-39 U	WZ-4755-25-03-000
1800	40-42 U	WZ-4755-25-02-000
2000	45-47 U	WZ-4755-25-01-000

Package: 1 pc.



ACCESSORIES FOR CABINETS AND OPEN RACKS

CABLE MANAGEMENT



PVC cable ducts

PVC cable ducts

Designed for vertical organization of cables inside the **SZB IT** cabinets.
 Fixed to horizontal C-profiles at the cabinet's side walls with help of the stiffening C-profile.
 Cable duct and stiffening C-profile are ordered separately.

Material

Cable duct - PVC
 Stiffening C-profile - sheet steel Al-Zn coated

Scope of delivery

Cable ducts - sold in lengths of 2 m.
 Stiffening C-profile - sold in lengths given in the table below;
 C-profile scope of delivery includes fixing accessories for cabinet installation.



C-profile for stiffening PVC cable ducts

C-PROFILE FOR STIFFENING PVC CABLE DUCTS

Height [U = 44.45 mm]	For PVC ducts width [mm]	Catalogue number
15 U	40	WZ-SB00-31-22-000
	60	WZ-SB00-31-10-000
18 U	40	WZ-SB00-31-21-000
	60	WZ-SB00-31-09-000
21 U	40	WZ-SB00-31-36-000
	60	WZ-SB00-31-30-000
24 U	40	WZ-SB00-31-20-000
	60	WZ-SB00-31-08-000
27 U	40	WZ-SB00-31-35-000
	60	WZ-SB00-31-29-000
28 U	40	WZ-SB00-31-19-000
	60	WZ-SB00-31-07-000
30 U	40	WZ-SB00-31-34-000
	60	WZ-SB00-31-28-000
32 U	40	WZ-SB00-31-18-000
	60	WZ-SB00-31-06-000
33 U	40	WZ-SB00-31-33-000
	60	WZ-SB00-31-27-000
36 U	40	WZ-SB00-31-17-000
	60	WZ-SB00-31-05-000
38 U	40	WZ-SB00-31-16-000
	60	WZ-SB00-31-04-000
39 U	40	WZ-SB00-31-32-000
	60	WZ-SB00-31-26-000
40 U	40	WZ-SB00-31-15-000
	60	WZ-SB00-31-03-000
42 U	40	WZ-SB00-31-14-000
	60	WZ-SB00-31-02-000
45 U	40	WZ-SB00-31-13-000
	60	WZ-SB00-31-01-000
47 U	40	WZ-SB00-31-31-000
	60	WZ-SB00-31-25-000

Package: 1 pc.



PVC cable duct fastened to the C-profile for cable duct stiffening



PVC cable duct with a C-profile for cable duct stiffening, installed in the SZB cabinet

PVC CABLE DUCT

Height [mm]	Width [mm]	Depth [mm]	Catalogue number
2000	40	40	M10-02-1428
		60	M10-02-1424
	60	80	M10-02-1438
		100	M10-02-1442

Package: 1 pc.