

SWN IT 19" WALL-MOUNTED CABINETS

Compact wall-mounted cabinets, designed for installing electrical equipment on mounting plates and 19" mounting profiles. Depending on the version, designed for use indoors or outdoors.

Basic dimensions: usable height **12 U**, width **600 mm**, depth **400 mm**

TECHNICAL DATA

Material

Sheet steel.

Protection degree

IP 65 in accordance with EN 60529.

Surface finish

Body, door, blanking plate - powder paint in light grey (RAL 7035), for indoor (cabinets without roof) or outdoor (cabinets with roof) use.

Mounting plate, 19" mounting profiles and mounting profile brackets - Al-Zn coated.

SCOPE OF DELIVERY

Body, door, mounting plate, blanking plate (cable entry plate), 19" set (four brackets, two 19" mounting profiles), roof (depending on the cabinet version).

SUPPLEMENTARY ACCESSORIES

Elements shall be ordered separately (see pages 112-113): shielding bar, earthing bar, earthing cables, wall brackets.



SWN IT indoor cabinet with glazed door



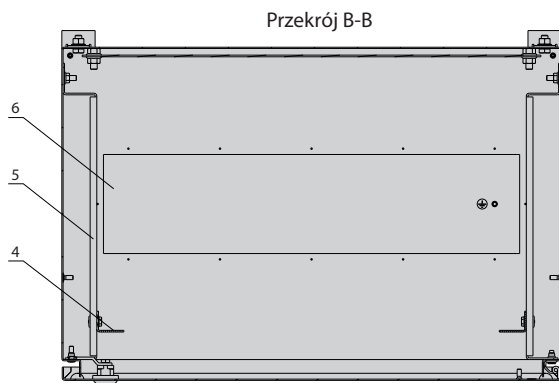
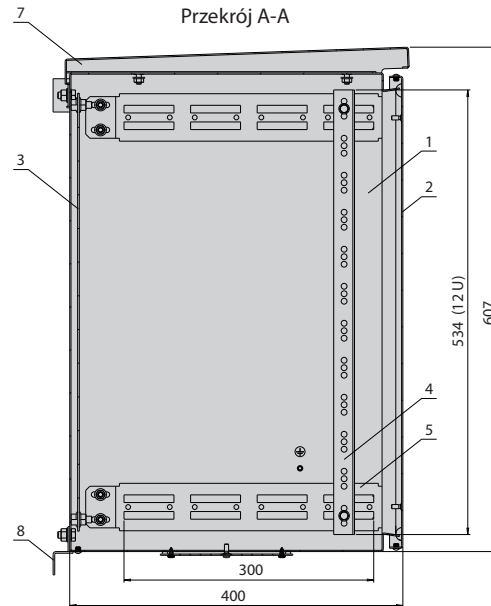
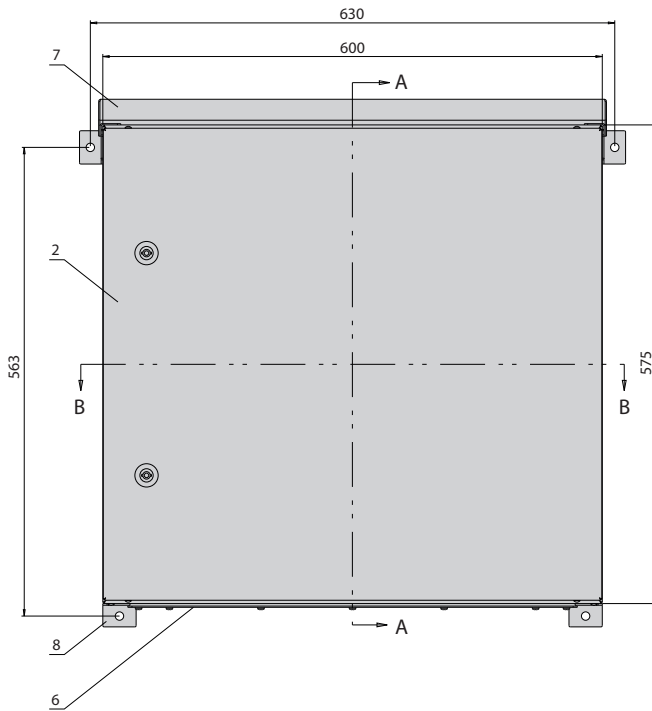
SWN IT indoor cabinet with solid door



SWN IT outdoor cabinet with roof



WALL-MOUNTED CABINETS **SWN IT 19"**



DESIGN

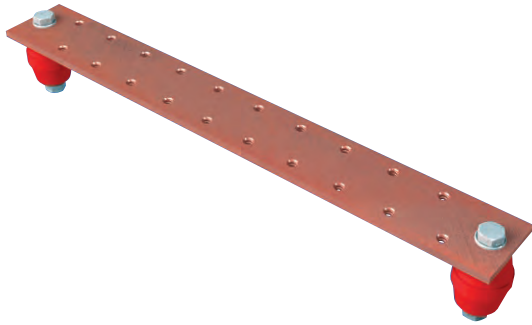
- 1. Body
- 2. Door
- 3. Mounting plate
- 4. 19" mounting profile
- 5. Mounting profile bracket
- 6. Blanking plate
- 7. Roof (only in the outdoor cabinet)
- 8. Bracket for wall mounting (supplementary accessory)

REFERENCE CHART

Cabinet version	Catalogue number
SWN IT wall-mounted cabinet, 12 U, 600 x 400 mm, solid door, without roof, for indoor use	WZ-6844-01-00-011
SWN IT wall-mounted cabinet, 12 U, 600 x 400 mm, glazed door, without roof, for indoor use	WZ-6844-21-00-011
SWN IT wall-mounted cabinet, 12 U, 600 x 400 mm, solid door, with roof, for outdoor use	WZ-6844-31-00-J61/501

SWN WALL-MOUNTED CABINETS

SUPPLEMENTARY ACCESSORIES



Shielding bar

Fixed to the mounting plate by insulators (fixing points are made during assembly). Threaded holes M5 for fixing wires.

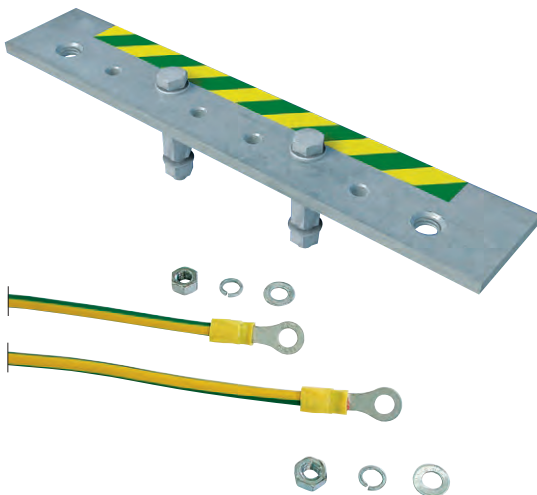
Material

Copper bar 30 x 4 mm.

Scope of delivery

Shielding bar with 2 insulators and screws for fixing on the mounting plate.

For cabinets width [mm]	Length of the bar [mm]	Package	Catalogue number
200 - 400	130	1 pc.	WZ-2285-10-01-000
500 - 800	230	1 pc.	WZ-2285-10-02-000



Earthing set

Consists of an earthing bar and 2 earthing cables.

Earthing bar attaches to the mounting plate. It has M5 and M8 threaded holes for attaching cables.

Earthing cables can be used to connect removable cabinet components to the earthing bar or directly to the cabinet body.

Material

Galvanised steel flat bar 30 x 4 x 170 mm.

Insulated copper wires with a cross-section of 6 mm² and a length of 300 mm, fitted with galvanised lugs with eyelets.

Scope of delivery

Earthing bar, 2 earthing cables, fixing accessories.

Package	Catalogue number
1 set	WZ-2285-13-00-000



Wall mounting brackets

The brackets are fixed to the holes in the rear wall of the cabinet in a horizontal or vertical position.

Diameter of fixing holes: 10 mm

Spacing between rear side of the cabinet and the wall: 20 mm
1 set = 4 brackets per cabinet.

Material

Al-Zn-coated or stainless sheet steel.

Scope of delivery

Set: 4 brackets with bolts, washers and nuts for fastening to the rear wall of the cabinet.

Material	Catalogue number
Al-Zn-coated sheet steel	WZ-2285-14-00-000
Stainless sheet steel	WZ-6742-14-00-000

Package: 1 set = 4 pcs

19" rack for SWN cabinets

It is used for mounting 19" devices inside SWN cabinets with a width of 600 mm.

It consists of 2 mounting profiles or mounting angles and 4 brackets with fixing accessories.

For installing the rack inside the cabinet, the openings intended also for mounting hinges are used.

Material

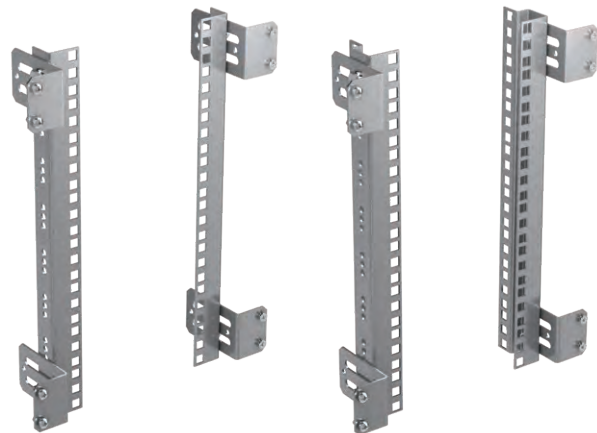
Al-Zn-coated steel sheet

Scope of delivery

2 mounting profiles or mounting angles, 4 brackets with fixing accessories.

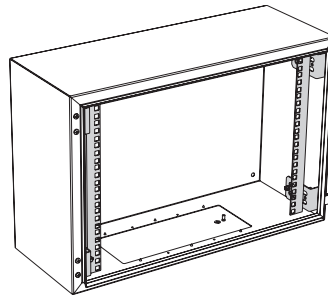
Product name	For SWN cabinet		Usable height [U = 44.45 mm]	Catalogue number
	Width [mm]	Height [mm]		
Rack made of 19" mounting angles	600	400	8 U	WZ-5922-02-01-000
		600	12 U	WZ-5922-02-02-000
		800	17 U	WZ-5922-02-03-000
		1000	21 U	WZ-5922-02-04-000
Rack made of 19" mounting profiles	600	400	8 U	WZ-5922-02-05-000
		600	12 U	WZ-5922-02-06-000
		800	17 U	WZ-5922-02-07-000
		1000	21 U	WZ-5922-02-08-000

Opakowanie: 1 kpl.



Rack made of 19" mounting angles

Rack made of 19" mounting profiles



SWN cabinet's body with installed rack made of 19" mounting angles

Roof

Designed for SWN cabinets installed in outdoor conditions.

Material

Galvanised steel sheet, powder painted in light grey (RAL 7035) for outdoor use, or stainless steel AISI 304 unpainted.

Scope of delivery

Roof with fixing accessories.



For SWN cabinet		Catalogue number	
Width [mm]	Height [mm]	Roof galvanised and painted in RAL 7035	Stainless steel roof, unpainted
200	115	WZ-6139-73-01-J61/501	WZ-6139-73-13-000
300	150	WZ-6139-73-02-J61/501	WZ-6139-73-14-000
	210	WZ-6139-73-03-J61/501	WZ-6139-73-15-000
400	210	WZ-6139-73-04-J61/501	WZ-6139-73-16-000
	250	WZ-6139-73-05-J61/501	WZ-6139-73-17-000
	300	WZ-6139-73-06-J61/501	WZ-6139-73-18-000
500	210	WZ-6139-73-07-J61/501	WZ-6139-73-19-000
	250	WZ-6139-73-08-J61/501	WZ-6139-73-20-000
	300	WZ-6139-73-09-J61/501	WZ-6139-73-21-000
600	250	WZ-6139-73-10-J61/501	WZ-6139-73-22-000
	300	WZ-6139-73-11-J61/501	WZ-6139-73-23-000
800	300	WZ-6139-73-12-J61/501	WZ-6139-73-24-000

Package: 1 pc.



SWN cabinet with roof

SWN WALL-MOUNTED CABINETS – CUSTOMISED VERSIONS



Outdoor cabinet with DIN rails
body dimensions 500 x 500 x 210 mm, protection degree IP 55, mechanical resistance IK 10, designed for wall mounting



Outdoor cabinet with 19" mounting profiles
body dimensions 1140 x 714 x 600 mm, protection degree IP 55, mechanical resistance IK 10, designed in three versions: free-standing (with plinth), wall-mounted or pole-mounted



IP65 Emergency Cabinet
designed for use in for example tunnels



See the video:
zpas.pl/qr/f06