

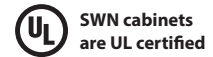
SWN WALL-MOUNTED CABINETS

TECHNICAL DATA



Compact wall-mounted cabinets designed for electrical installations. In the standard version they are designed for indoor applications. Manufactured in 20 dimensions in accordance with the chart below. Cabinets of non-standard dimensions are quoted individually.

TECHNICAL DATA



Material

Sheet steel

Protection degree

IP 65 in accordance with EN 60529

Surface finish

Body, door, blanking plate – Epoxide-polyester thick-texture powder paint in RAL 7035, intended for indoor usage. On customer's request, it is possible to use facade paint with improved resistance to adverse weather conditions.

Mounting plate - Al-Zn coated



Note:

The body, door and blanking plate can be made of stainless steel - see page 102.



SCOPE OF DELIVERY

body, door, mounting plate, 1 or 2 blanking plates (see pages 106-107).

SUPPLEMENTARY ACCESSORIES

Elements shall be ordered separately (see pages 112-113): shielding bar, earthing bar, earthing cables, wall brackets, 19" rack.

REFERENCE CHART

Width [mm]	Depth [mm]	Height [mm]					
		300	400	500	600	800	1000
Catalogue numbers of standard SWN cabinets							
200	115	WZ-SWN-302011-01-011	—	—	—	—	—
300	150	WZ-SWN-303015-01-011	—	—	—	—	—
	210	—	WZ-SWN-403021-01-011	—	—	—	—
400	150	—	—	—	—	—	—
	210	WZ-SWN-304021-01-011	WZ-SWN-404021-01-011	WZ-SWN-504021-01-011	—	—	—
	250	—	—	—	WZ-SWN-604025-01-011	—	—
	300	—	WZ-SWN-404030-01-011	WZ-SWN-504030-01-011	—	—	—
500	210	—	—	WZ-SWN-505021-01-011	—	—	—
	250	—	WZ-SWN-405025-01-011	—	WZ-SWN-605025-01-011	—	—
	300	—	—	—	WZ-SWN-605030-01-011	—	—
600	250	—	WZ-SWN-406025-01-011	—	WZ-SWN-606025-01-011	WZ-SWN-806025-01-011	WZ-SWN-106025-01-011
	300	—	—	—	—	WZ-SWN-806030-01-011	—
800	300	—	—	—	—	WZ-SWN-808030-01-011	WZ-SWN-108030-01-011

DESCRIPTION OF SWN CABINET DESIGN

Body

- The body of SWN is a tight-welded sheet metal structure. Optimised door light ensures maximum use of available space.
- A multi-folded enclosure aperture protects against dust and moisture even when the door is open.
- In the bottom of the body, there is an opening for a gland plate. Dimensions of the opening depend on cabinet dimensions.
- Inside the body there are self-tapping screws for fixing the mounting plate.
- On the rear side of the body there are cut-outs for mounting the cabinet directly on the wall or by using lifting brackets.

Door

- Cabinets are provided with a single-leaf door.
- Depending on height, either one or two locks including double-bit insert are used:
 - cabinets up to 400 mm high - one lock in the middle;
 - cabinets from 500 to 1000 mm high - two locks.
- There are hinges fixed to the door; the number depends on cabinet height: from 300 to 600 mm - two hinges, from 800 to 1000 mm - three hinges.
- Interior of the door including sealing gasket and earthing studs.
- Left or right door option.
- Maximum door opening angle 120°.

Mounting plate

- Fixed to rear side of the body.
- In cabinets up to 600 mm high the flat mounting plate is used.
- In cabinets 800 or 1000 mm high, a folded mounting plate is used to maintain appropriate stiffness.
- Mounting plate including fixing points for earthing bar.

Blanking plate - cable entry plate

- Cabinets, depending on the size, includes one or two blanking plates (see drawings on pages 106-107).
- Blanking plates are fixed by self-tapping screws.
- Includes sealing gasket and earthing stud.
- Gland cable entries available on request.

Earthing and shielding

- The door and the blanking plate including earthing studs.
- Earthing bar and shielding bar (for fixing to the mounting plate) and earthing cables are delivered as supplementary accessories.

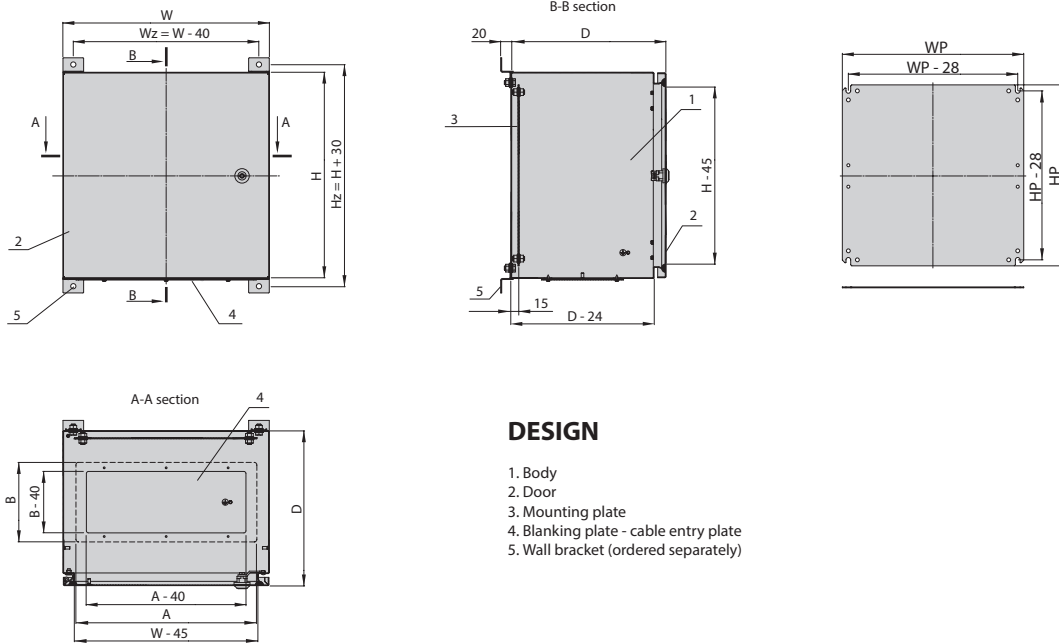


Blanking plate fixed to the cabinet's bottom

SWN WALL-MOUNTED CABINETS

DESIGN

Basic dimensions of SWN cabinets with one blanking plate



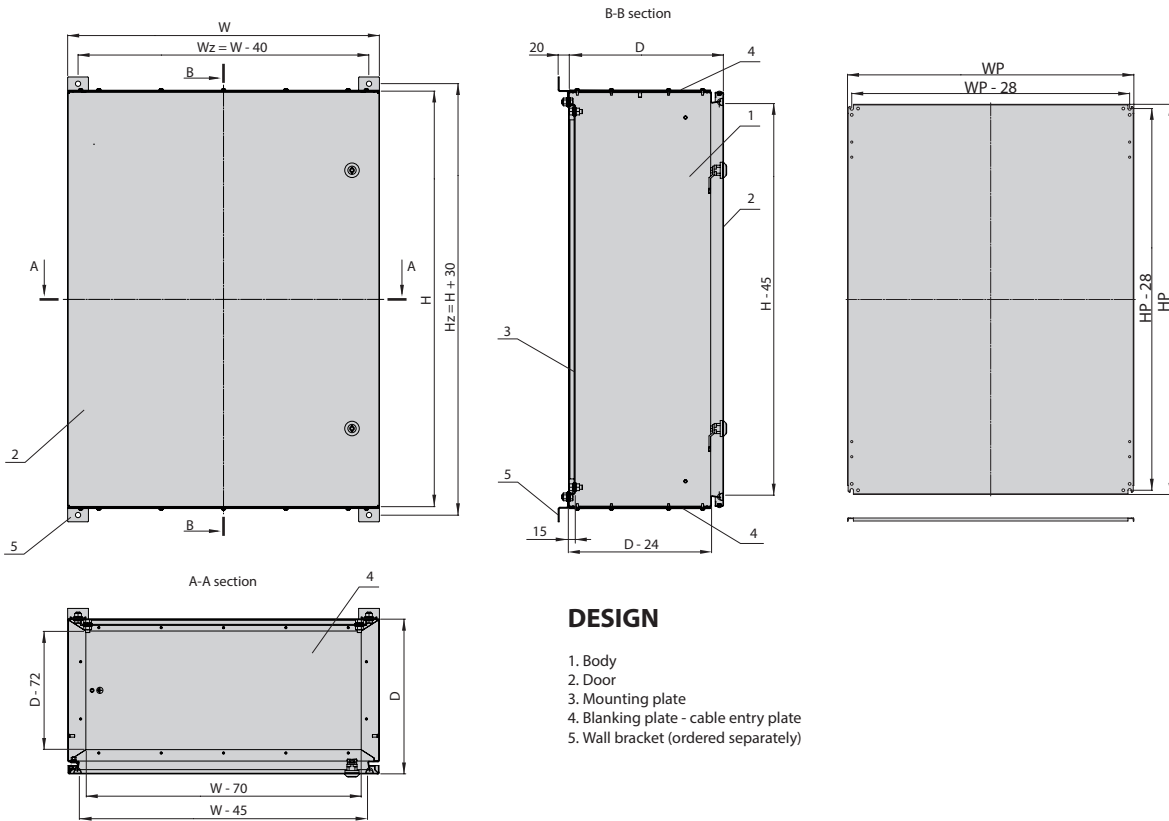
DESIGN

1. Body
2. Door
3. Mounting plate
4. Blanking plate - cable entry plate
5. Wall bracket (ordered separately)

REFERENCE CHART

Cabinet dimensions [mm]	Height H	300			400			500			600			800			1000				
	Width W	200	300	400	300	400	400	500	600	400	400	500	400	500	500	600	600	600	800	600	800
	Depth D	115	150	210	210	210	300	250	250	210	300	210	250	250	300	250	250	300	300	250	300
Cabinet reference number		1	1	1	1	1	1			1	1	1	1								
Number of locks in the door		1	1	1	1	1	1			2	2	2	2								
Number of hinges in the door		2	2	2	2	2	2			2	2	2	2								
Mounting plate dimensions [mm]	Height HP	251	251	251	351	351	351			451	451	451	551								
	Width WP	151	251	351	251	351	351			351	351	451	351								
Blanking plate dimensions	A	172	172	341	172	341	349			341	349	341	349								
	B	82	82	101	82	101	159			101	159	101	159								

Basic dimensions of SWN cabinets with two blanking plates

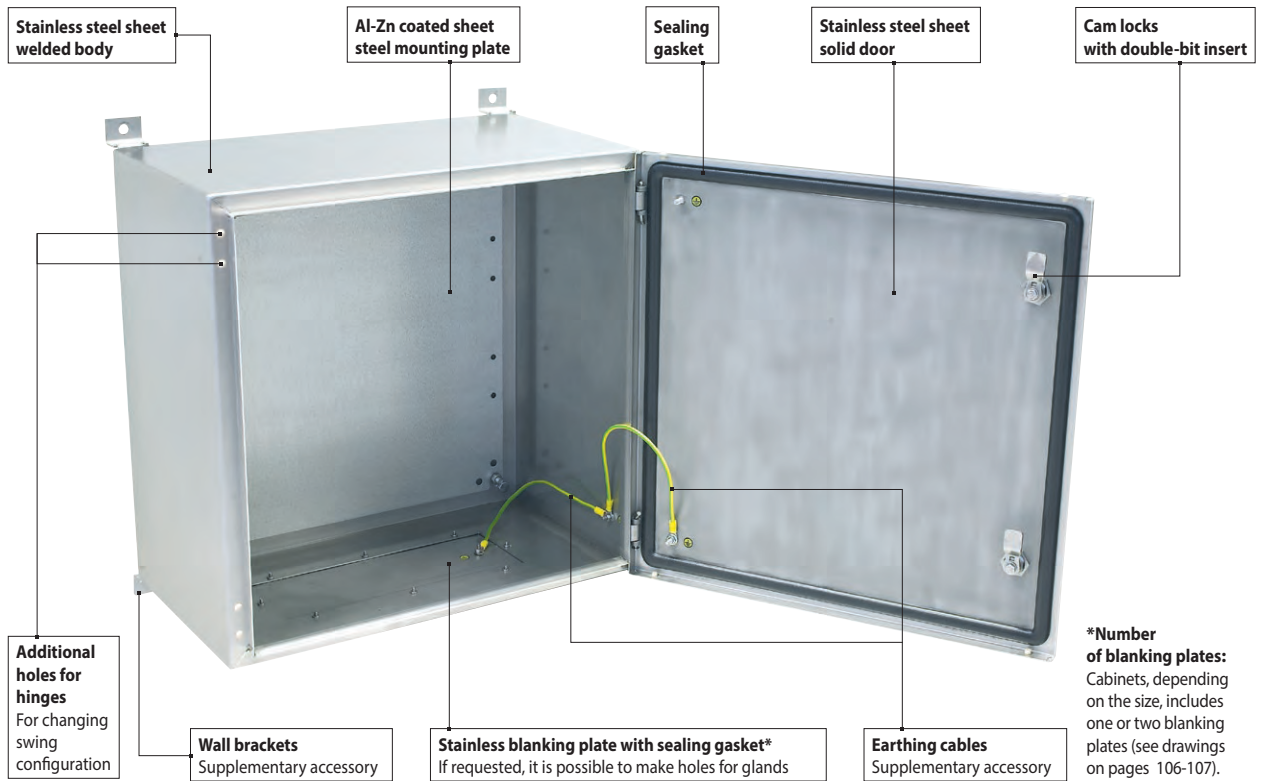


REFERENCE CHART

Cabinet dimensions [mm]	Height H	300			400				500			600				800			1000		
	Width W	200	300	400	300	400	400	500	600	400	400	500	400	500	500	600	600	600	800	600	800
	Depth D	115	150	210	210	210	300	250	250	210	300	210	250	250	300	250	250	300	300	250	300
Cabinet reference number								2	2				2	2	2	2	2	2	2	2	2
Number of locks in the door								1	1				2	2	2	2	2	2	2	2	2
Number of hinges in the door								2	2				2	2	2	3	3	3	3	3	3
Mounting plate dimensions [mm]	Height HP							351	351				551	551	551	751	751	751	951	951	
	Width WP							451	551				451	451	551	551	551	751	551	751	

SWN Inox STAINLESS STEEL WALL-MOUNTED CABINETS

- Compact, versatile, single-door wall cabinets for installation of electrical equipment to be protected against unauthorized access, dust and moisture.
- Intended for use in outdoor conditions in corrosion-aggressive environment or wherever extra hygiene is required.
- Design and reference chart of SWN Inox stainless cabinets is fully compatible with standard SWN cabinets produced by ZPAS.



REFERENCE CHART

Material

Body, door, blanking plate, wall brackets
 - 1.4301 stainless steel as per EN 10088 (AISI 304), other grade possible on demand
 Mounting plate
 - Al-Zn coated sheet steel

Protection degree

IP 65 in accordance with EN 60529

External surface finish

Class 1 (see configurator on page 109)

Cabinet's scope of delivery

Body, door, blanking plate, mounting plate.

Supplementary accessories ordered separately

see pages 112-113

Width [mm]	Depth [mm]	Height [mm]					
		300	400	500	600	800	1000
Catalogue numbers of standard versions of SWN Inox stainless steel cabinets							
200	115	WZ-SWN-302011-N1-000	—	—	—	—	—
	300	150	WZ-SWN-303015-N1-000	—	—	—	—
210		—	WZ-SWN-403021-N1-000	—	—	—	
400	150	—	—	—	—	—	
	210	WZ-SWN-304021-N1-000	WZ-SWN-404021-N1-000	WZ-SWN-504021-N1-000	—	—	
	250	—	—	—	WZ-SWN-604025-N1-000	—	
	300	—	WZ-SWN-404030-N1-000	WZ-SWN-504030-N1-000	—	—	
500	210	—	—	WZ-SWN-505021-N1-000	—	—	
	250	—	WZ-SWN-405025-N1-000	—	WZ-SWN-605025-N1-000	—	
	300	—	—	—	WZ-SWN-605030-N1-000	—	
600	250	—	WZ-SWN-406025-N1-000	—	WZ-SWN-606025-N1-000	WZ-SWN-806025-N1-000	WZ-SWN-106025-N1-000
	300	—	—	—	—	WZ-SWN-806030-N1-000	—
800	300	—	—	—	—	WZ-SWN-808030-N1-000	WZ-SWN-108030-N1-000

Note: Cabinet body and door can be additionally powder painted - see configurator on page 109

STAINLESS STEEL WALL-MOUNTED CABINETS **SWN Inox**



SWN Inox cabinet 800 x 800 x 300 mm, cat. no. WZ-SWN-808030-N1-000, two blanking plates (upper and bottom)

WALL-MOUNTED CABINETS **SWN & SWN Inox**

CATALOGUE NUMBER - SWN AND SWN INOX CABINET CONFIGURATOR

WZ-SWN-XXXXXX-XX-XXX

Reference number
specifies the cabinet's overall dimensions (see reference chart)

Width [mm]	Depth [mm]	Height [mm]					
		300	400	500	600	800	1000
200	115	302011	—	—	—	—	—
	150	303015	—	—	—	—	—
300	210	—	403021	—	—	—	—
	150	—	—	—	—	—	—
400	210	304021	404021	504021	—	—	—
	250	—	—	—	604025	—	—
	300	—	404030	504030	—	—	—
500	210	—	—	505021	—	—	—
	250	—	405025	—	605025	—	—
600	300	—	—	—	605030	—	—
	250	—	406025	—	606025	806025	106025
800	300	—	—	—	—	806030	—
	300	—	—	—	—	808030	108030

Cabinet colour:
000 - without paint
011 - RAL 7035 - light grey, paint for indoor usage
J61/501 - RAL 7035 - light grey, paint for outdoor usage with primer
161 - RAL 9005 - black, paint for indoor usage

Cabinet material (body, door, blanking plates):
01 - carbon steel
N1 - Inox - AISI 304 stainless steel, surface finish class 1
N2 - Inox - AISI 304 stainless steel, surface finish class 2
N3 - Inox - AISI 316 stainless steel, surface finish class 1
N5 - Inox - AISI 316L stainless steel, surface finish class 1

Surface finish classes for standard stainless steel products manufactured in ZPAS

Class 1
 Grinded sheet metal (4NT), reconstructed structure from the outside after weld treatment, structure crossing only where this cannot be avoided. Welds and pressure welds cleaned from chips from the inside, etched by submersion (inside and outside), possible slight discolouration only where welded.

Class 2
 Grinded sheet metal (4NT), external welds cleaned with a hand-held glazing calender – larger overflows can be sanded locally after welding. Welds and pressure welds cleaned from chips from the inside, untreated, acceptable discolouration after welding and pressure welding.

SWN IT 19" WALL-MOUNTED CABINETS

Compact wall-mounted cabinets, designed for installing electrical equipment on mounting plates and 19" mounting profiles. Depending on the version, designed for use indoors or outdoors.

Basic dimensions: usable height **12 U**, width **600 mm**, depth **400 mm**

TECHNICAL DATA

Material

Sheet steel.

Protection degree

IP 65 in accordance with EN 60529.

Surface finish

Body, door, blanking plate - powder paint in light grey (RAL 7035), for indoor (cabinets without roof) or outdoor (cabinets with roof) use.

Mounting plate, 19" mounting profiles and mounting profile brackets - Al-Zn coated.

SCOPE OF DELIVERY

Body, door, mounting plate, blanking plate (cable entry plate), 19" set (four brackets, two 19" mounting profiles), roof (depending on the cabinet version).

SUPPLEMENTARY ACCESSORIES

Elements shall be ordered separately (see pages 112-113): shielding bar, earthing bar, earthing cables, wall brackets.



SWN IT indoor cabinet with glazed door



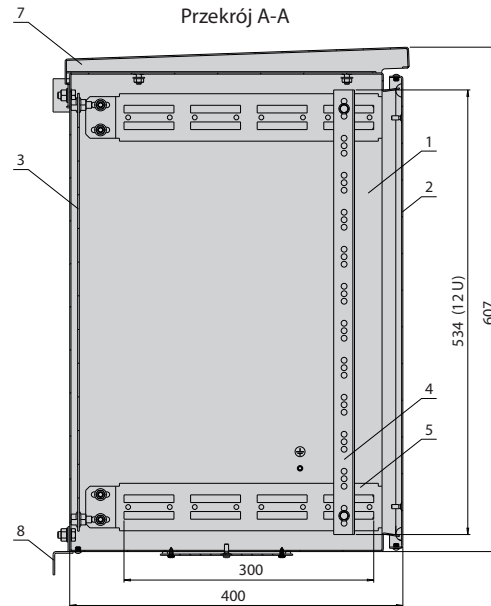
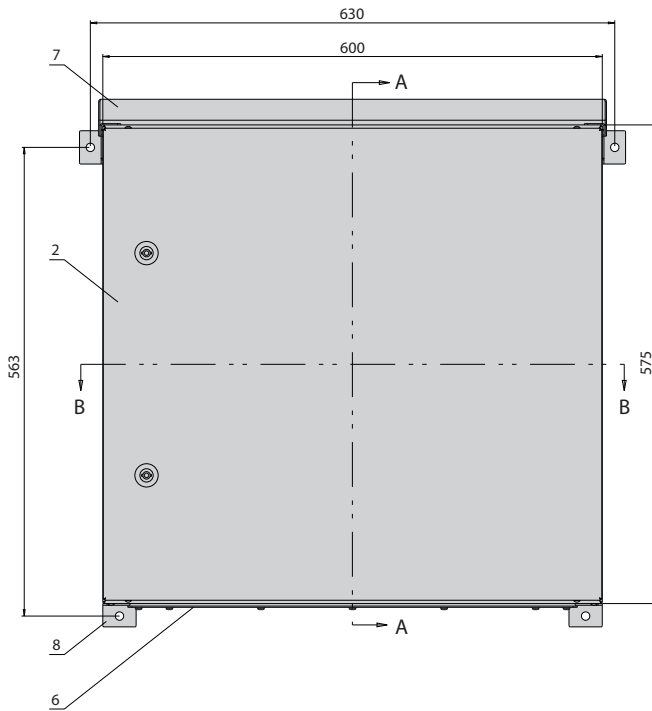
SWN IT indoor cabinet with solid door



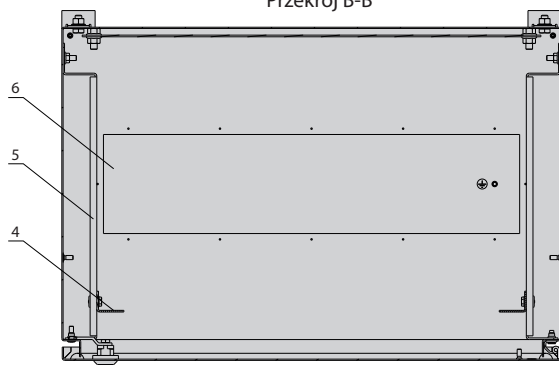
SWN IT outdoor cabinet with roof



WALL-MOUNTED CABINETS **SWN IT 19"**



Przekrój B-B



DESIGN

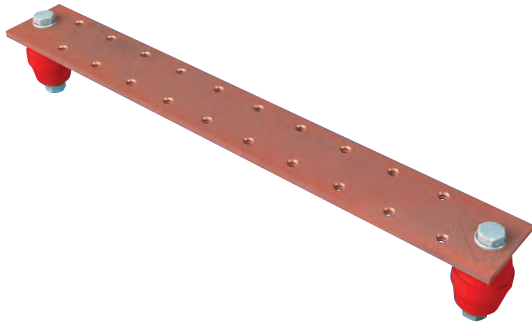
- 1. Body
- 2. Door
- 3. Mounting plate
- 4. 19" mounting profile
- 5. Mounting profile bracket
- 6. Blanking plate
- 7. Roof (only in the outdoor cabinet)
- 8. Bracket for wall mounting (supplementary accessory)

REFERENCE CHART

Cabinet version	Catalogue number
SWN IT wall-mounted cabinet, 12 U, 600 x 400 mm, solid door, without roof, for indoor use	WZ-6844-01-00-011
SWN IT wall-mounted cabinet, 12 U, 600 x 400 mm, glazed door, without roof, for indoor use	WZ-6844-21-00-011
SWN IT wall-mounted cabinet, 12 U, 600 x 400 mm, solid door, with roof, for outdoor use	WZ-6844-31-00-J61/501

SWN WALL-MOUNTED CABINETS

SUPPLEMENTARY ACCESSORIES



Shielding bar

Fixed to the mounting plate by insulators (fixing points are made during assembly). Threaded holes M5 for fixing wires.

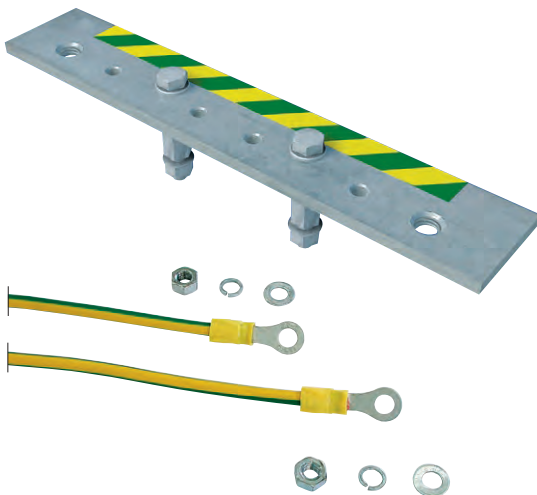
Material

Copper bar 30 x 4 mm.

Scope of delivery

Shielding bar with 2 insulators and screws for fixing on the mounting plate.

For cabinets width [mm]	Length of the bar [mm]	Package	Catalogue number
200 - 400	130	1 pc.	WZ-2285-10-01-000
500 - 800	230	1 pc.	WZ-2285-10-02-000



Earthing set

Consists of an earthing bar and 2 earthing cables.

Earthing bar attaches to the mounting plate. It has M5 and M8 threaded holes for attaching cables.

Earthing cables can be used to connect removable cabinet components to the earthing bar or directly to the cabinet body.

Material

Galvanised steel flat bar 30 x 4 x 170 mm.

Insulated copper wires with a cross-section of 6 mm² and a length of 300 mm, fitted with galvanised lugs with eyelets.

Scope of delivery

Earthing bar, 2 earthing cables, fixing accessories.

Package	Catalogue number
1 set	WZ-2285-13-00-000



Wall mounting brackets

The brackets are fixed to the holes in the rear wall of the cabinet in a horizontal or vertical position.

Diameter of fixing holes: 10 mm

Spacing between rear side of the cabinet and the wall: 20 mm
1 set = 4 brackets per cabinet.

Material

Al-Zn-coated or stainless sheet steel.

Scope of delivery

Set: 4 brackets with bolts, washers and nuts for fastening to the rear wall of the cabinet.

Material	Catalogue number
Al-Zn-coated sheet steel	WZ-2285-14-00-000
Stainless sheet steel	WZ-6742-14-00-000

Package: 1 set = 4 pcs

19" rack for SWN cabinets

It is used for mounting 19" devices inside SWN cabinets with a width of 600 mm.

It consists of 2 mounting profiles or mounting angles and 4 brackets with fixing accessories.

For installing the rack inside the cabinet, the openings intended also for mounting hinges are used.

Material

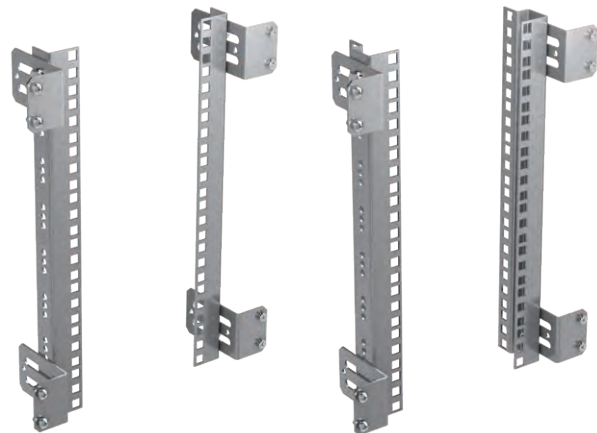
Al-Zn-coated steel sheet

Scope of delivery

2 mounting profiles or mounting angles, 4 brackets with fixing accessories.

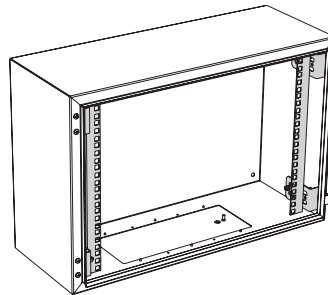
Product name	For SWN cabinet		Usable height [U = 44.45 mm]	Catalogue number
	Width [mm]	Height [mm]		
Rack made of 19" mounting angles	600	400	8 U	WZ-5922-02-01-000
		600	12 U	WZ-5922-02-02-000
		800	17 U	WZ-5922-02-03-000
		1000	21 U	WZ-5922-02-04-000
Rack made of 19" mounting profiles	600	400	8 U	WZ-5922-02-05-000
		600	12 U	WZ-5922-02-06-000
		800	17 U	WZ-5922-02-07-000
		1000	21 U	WZ-5922-02-08-000

Opakowanie: 1 kpl.



Rack made of 19" mounting angles

Rack made of 19" mounting profiles



SWN cabinet's body with installed rack made of 19" mounting angles

Roof

Designed for SWN cabinets installed in outdoor conditions.

Material

Galvanised steel sheet, powder painted in light grey (RAL 7035) for outdoor use, or stainless steel AISI 304 unpainted.

Scope of delivery

Roof with fixing accessories.



For SWN cabinet		Catalogue number	
Width [mm]	Height [mm]	Roof galvanised and painted in RAL 7035	Stainless steel roof, unpainted
200	115	WZ-6139-73-01-J61/501	WZ-6139-73-13-000
300	150	WZ-6139-73-02-J61/501	WZ-6139-73-14-000
	210	WZ-6139-73-03-J61/501	WZ-6139-73-15-000
400	210	WZ-6139-73-04-J61/501	WZ-6139-73-16-000
	250	WZ-6139-73-05-J61/501	WZ-6139-73-17-000
	300	WZ-6139-73-06-J61/501	WZ-6139-73-18-000
500	210	WZ-6139-73-07-J61/501	WZ-6139-73-19-000
	250	WZ-6139-73-08-J61/501	WZ-6139-73-20-000
	300	WZ-6139-73-09-J61/501	WZ-6139-73-21-000
600	250	WZ-6139-73-10-J61/501	WZ-6139-73-22-000
	300	WZ-6139-73-11-J61/501	WZ-6139-73-23-000
800	300	WZ-6139-73-12-J61/501	WZ-6139-73-24-000

Package: 1 pc.



SWN cabinet with roof

SWN WALL-MOUNTED CABINETS – CUSTOMISED VERSIONS



Outdoor cabinet with DIN rails
body dimensions 500 x 500 x 210 mm, protection degree IP 55, mechanical resistance IK 10, designed for wall mounting



Outdoor cabinet with 19" mounting profiles
body dimensions 1140 x 714 x 600 mm, protection degree IP 55, mechanical resistance IK 10, designed in three versions: free-standing (with plinth), wall-mounted or pole-mounted



IP65 Emergency Cabinet
designed for use in for example tunnels



See the video:
zpas.pl/qr/f06